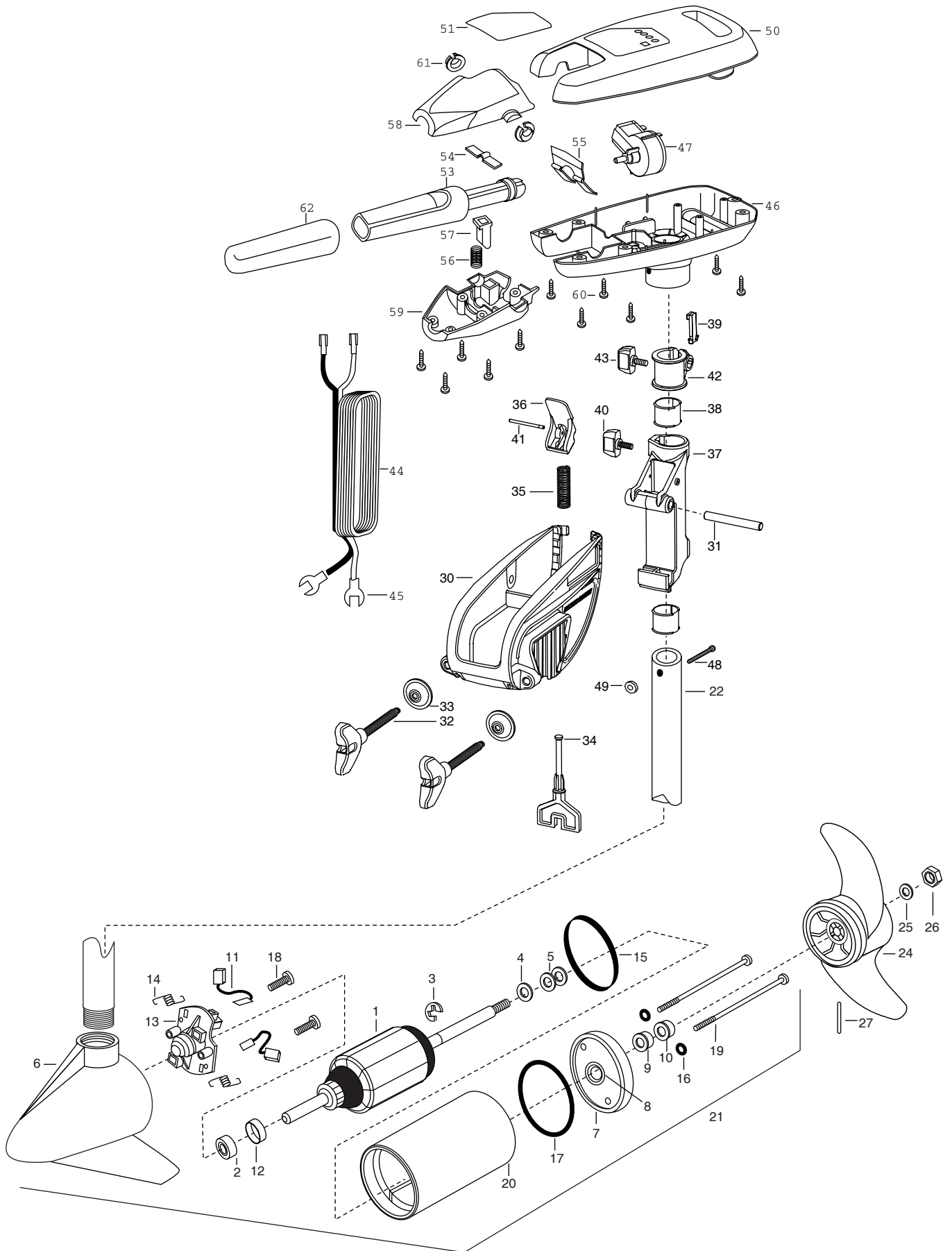


47 TURBO
47 LBS THRUST
12 VOLT
36" SHAFT

For parts and service
call toll free: 1-888-404-1119
www.mikesreelrepair.com



For parts and service
call toll free: 1-888-404-1119
www.mikesreelrepair.com

1	92-100-095	ARMATURE ASSEMBLY 12V 3.62	31	2060510	PIN-HINGE	
2	140-010	BEARING -BALL	32	2061300	SCREW-CLAMP [2 EA.]	
3	788-015	RETAINING-RING	33	2011710	WASHER-CLAMP SCREW [2 EA.]	
4	990-067	WASHER- STEEL	34	2063605	T-BAR, PLASTIC	
5	990-070	WASHER- NYLATRON [2.EA]	35	2062706	SPRING- (T-BAR)	
6	421-065	HOUSING- BRUSH END 3.62 TXT	36	2067200	LEVER-TILT (RED)	
7	2-400-101	PLAIN END HOUSING ASSEMBLY	37	2061810	HINGE-PLASTIC	
8	144-049	BEARING- FLANGE	38	2037300	BUSHING-HINGE [2 EA.]	
9	880-003	**SEAL	39	2062800	TENSION BLOCK-SNAP IN	
10	880-006	**SEAL-W/SHIELD	40	2011385	SCREW, TENSION/KNOB	
11	188-036	BRUSH ASSEMBLY [2.EA]	41	2060515	PIN, TILT LEVER	
12	725-050	PAPER TUBE- BRUSH RETENTION	42	2061520	COLLAR-DEPTH ENDURA	
13	738-036	BRUSH PLATE WITH HOLDER	43	2011365	SCREW-COLLAR/NEW KNOB	
14	975-040	SPRING- TORSION [2.EA]	44	2050609	LEADWIRE (10 GA) SPADE TERM	
15	337-036	**GASKET	45	2020702	SPADE TERMINAL [2 EA.]	
16	701-008	**O-RING—THRU BOLT [2.EA]	46	2062551	CONTROL BOX W/HAND	For parts and service
17	701-081	**O-RING	47	2064023	SWITCH FWD/REV 5 SP	call toll free: 1-888-404-1119
18	830-007	SCREW- 8-32X1 [2.EA]	48	2033400	SCREW 10-24X1-3/4	www.mikesreelrepair.com
19	830-042	THRU BOLT 10-32X8.83 [2.EA]	49	2013110	NUT- HEX 10-24	
20	431-101	HOUSING- CENTER ASSEMBLY 3.62 TXT	50	2060281	CONTROL BOX COVER- GREY	
21	2099061	MOTOR-ASSEMBLY 12V 3.62 5SPC TXT	51	2065655	DECAL-COVER	
22	2032052	TUBE (COMPOSITE) 36"	53	2990912	HANDLE ASSEMBLY W/ U-JOINT 5SP	
■	1378122	PROPELLER KIT	54	2302742	SPRING-DETENT (OFF) SS	
24	2091150	PROP (WEEDLESS WEDGE)	55	2302743	SPRING-DETENT HANDLE-TILT	
25	2151726	WASHER-PROP 5/16 STD SS	56	2302745	SPRING-RELEASE BUTTON SS	
26	2053101	NUT-PROP MED 5/16	57	2303720	RELEASE BUTTON-HANDLE	
27	2092600	PIN-DRIVE SS	58	2060408	HANDLE (TOP HALF)	
■	2771811	BRACKET & HINGE ASSEMBLY (INCLUDES- 30—41)	59	2060415	HANDLE (LOWER HALF)	
■	2771910	BRACKET ASSEMBLY (INCLUDES- 30,32,33)	60	2303412	SCREW-6-20 X 5/8 SELF TAP [11 EA.]	
*30	2061910	BRACKET	61	2060005	BEARING-HANDLE PIVOT [2 EA.]	
			62	2060425	HANDLE (EXTENSION)	

**** Seal & Oring Kit P/N 2888460**

* This item is part of an assembly. This item cannot be sold separately due to machining and /or assembly that is required.

P/N 2064940 REV. A 10-02

For parts and service
call toll free: 1-888-404-1119
www.mikesreelrepair.com

