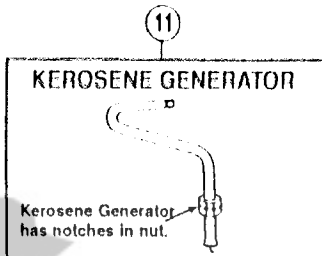
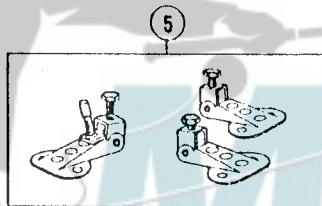


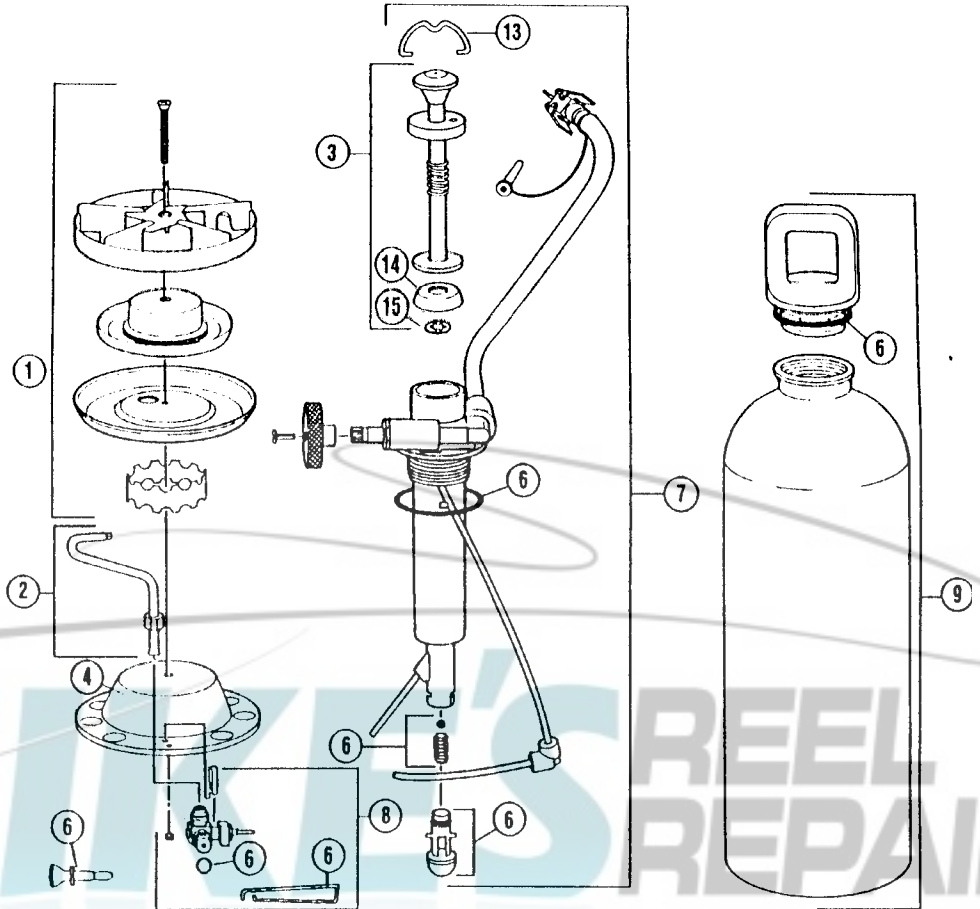
Model 450A700



The Kerosene Generator is optional. It does not come with the stove.



One leg has a leveling screw which can be used to level the stove on uneven surfaces.



Parts List

No.	Part No.	Description
1	450-3801	Burner, grate and collar assembly
2	450-5251	Generator assembly
3	450C5171	Plunger assembly
4	450A5301	Base assembly
5	450-5161	Leg Kit
6	450A5611	Service parts kit
7	450B5551	Pump assembly
8	450A5651	Valve assembly (Less Gen.)
9	450-422	Fuel bottle assembly (22 fl. oz. bottle capacity) (16 fl. oz. operating capacity)
10	450-417	Fuel bottle assembly (17 fl. oz. bottle capacity) (11 fl. oz. operating capacity) (optional/not shown)
11	445-5261	Kerosene generator (optional)
12	450-5801	Stove maintenance kit (optional)/not shown includes 2, 13, 14 and 15