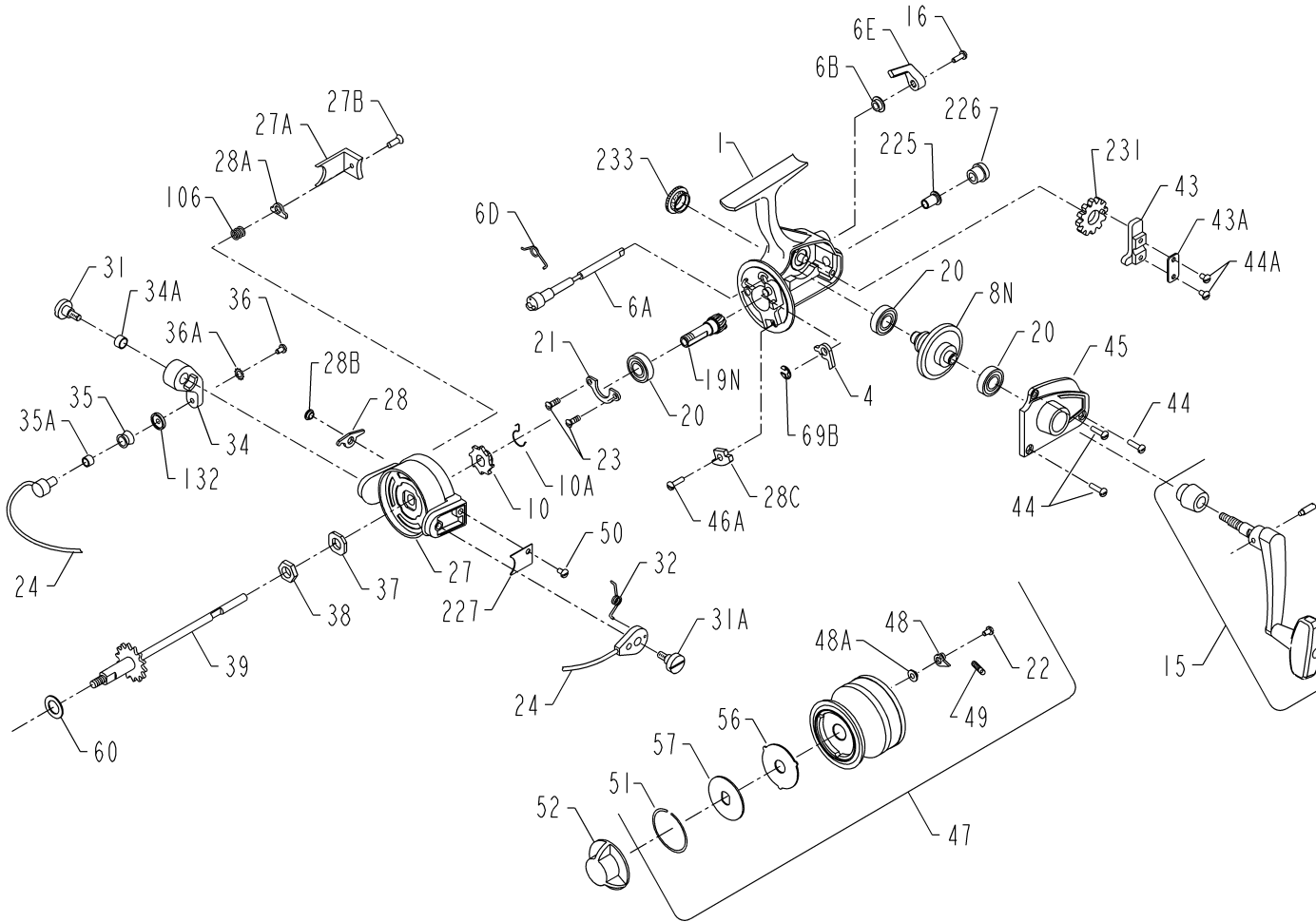




# PARTS LIST FOR MODEL 4400SS



## KEY

| KEY NO. | PART NO.  | DESCRIPTION                    |
|---------|-----------|--------------------------------|
| 1       | 001P4400  | Housing                        |
| 4       | *004N4400 | Dog                            |
| 6A      | 006A440   | Eccentric                      |
| 6B      | 006B750   | Eccentric Liner                |
| 6D      | 006D710   | Eccentric Spring               |
| 6E      | 006E750   | Eccentric Lever                |
| 8N      | 008N4400  | Main Gear                      |
| 10      | *010N4400 | Ratchet                        |
| 10A     | *230N5500 | Anti-Reverse Spring            |
| 15      | 015 440G  | Handle (Complete)              |
| 16      | 016 910   | Eccentric Screw                |
| 19N     | 019N4400  | Pinion                         |
| 20      | 020 722   | Ball Bearing                   |
| 21      | 021 450   | Bearing Cover                  |
| 22      | 022 750   | Spool Click Screw              |
| 23      | 023 750   | Bearing Cover Screw (2 req.)   |
| 24      | 024 440   | Bail Wire                      |
| 27      | 027 4400  | Rotor                          |
| 27A     | 027A440   | Bail Trip Cover                |
| 27B     | 027B420   | Rotor End Screw                |
| 28      | 028 440   | Trip Lever                     |
| 28A     | 028A440   | Cam Lever                      |
| 28B     | 028B440   | Trip Lever Bushing             |
| 28C     | 028C440   | Trip Cam                       |
| 31      | 031 550   | Bail Arm Screw                 |
| 31A     | 031A450   | Trip Arm Screw                 |
| 32      | 032 440   | Bail Spring                    |
| 34      | 034 450   | Bail Arm                       |
| 34A     | 034A550   | Bail Arm Bushing               |
| 35      | 035 704   | Liner Roller                   |
| 35A     | 035A704   | Line Roller Bushing            |
| 36      | 036 750   | Bail Stud Screw                |
| 36A     | 036A750   | Lock Washer                    |
| 37      | 037 450   | Rotor Washer                   |
| 38      | 038 550   | Rotor Nut                      |
| 39      | 039 440   | Spool Shaft                    |
| 43      | 043 440   | Crosswind Block                |
| 43A     | 043A440   | Crosswind Block Plate          |
| 44      | 044 704   | Cover Screw (3 req.)           |
| 44A     | 044 4400  | Crosswind Block Screw (2 req.) |
| 45      | 045 4400  | Housing Cover                  |
| 46A     | 046A704   | Screw (1 req.)                 |
| 47      | 047 4400  | Spool (Complete)               |
| 48      | 048 450   | Click Tongue                   |
| 48A     | 048A750   | Click Tongue Washer            |
| 49      | 049 710   | Click Tongue Spring            |
| 50      | 050 712   | Bail Spring Cover Screw        |
| 51      | 051 440   | Retaining Ring                 |
| 52      | 052 440   | Drag Knob                      |
| 56      | 056 440   | Drag Washer-HT100 (3 req.)     |
| 57      | 057 440   | Metal Keyed Washer (2 req.)    |
| 60      | 060 450   | Thrust Washer (Teflon)         |
| 69B     | 069B4400  | Retaining Ring                 |
| 106     | 106 5500  | Rotor End Spring               |
| 132     | 132 450   | Roller Washer                  |
| 225     | 225 440   | Crosswind Shaft Bushing        |
| 226     | 226 450   | Bushing Cap Screw              |
| 227     | 227 440   | Bail Spring Cover              |
| 231     | 231 440   | Crosswind Gear                 |
| 233     | 233 440   | Bearing Cover                  |