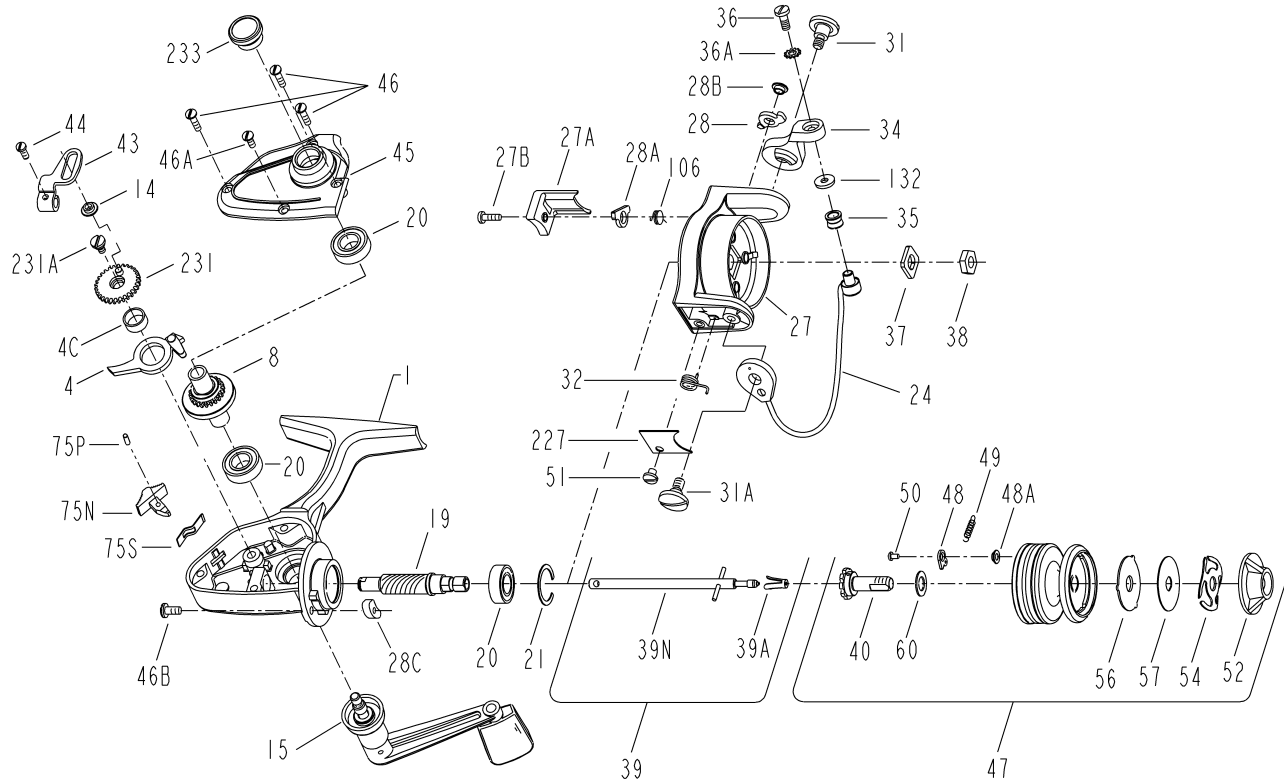




PARTS LIST FOR MODEL 4300SS



KEY NO.	PART NO.	DESCRIPTION
1	001 4300	Housing
4	004 4300	Dog
4C	004C4300	Dog Sleeve
8	008 4300	Main Gear Assembly
14	014 4300	Crosswind Roller
15	015N4300	Handle (Complete)
19	019 4300	Pinion
20	020 722	Ball Bearing (3 req.)
21	021 722	Bearing Lock Ring
24	024 4300	Bail Wire Assembly
27	027 4300	Rotor Cup
27A	027A4300	Bail Trip Cover
27B	027B420	Bail Trip Cover Screw
28	028 420	Trip Lever
28A	028A440	Cam Lever
28B	028B440	Trip Lever Bushing
28C	028C420	Trip Cam
31	031 420	Bail Arm Screw
31A	031A420	Bail Cam Screw
32	032 420	Bail Spring
34	034 420	Bail Arm
35	035 420	Line Roller
36	036 750	Bail Stud Screw
36A	036A750	Lock Washer
37	037 420	Rotor Cup Washer
38	038 720	Rotor Cup Nut
39	039N4300	Spool Shaft Complete
39A	039A4300	Spool Retainer
39N	039N4300B	Spool Shaft with Pin
40	040 716	Spool Sleeve Complete
43	043 4300	Crosswind Arm
44	044 4300	Crosswind Arm Screw
45	045 4300	Housing Cam
46	046 4300	Housing Cover Screw (3 req.)
46A	046A4300	Housing Cover Screw Small
46B	046A704	Trip Cam Screw
47	047 4300	Spool (Complete)
48	048N4300	Click Tongue
48A	048A4300	Click Tongue Washer
49	049 4300	Click Spring
50	063A2.5FR	Click Spring Screw
51	050 712	Bail Spring Cover Screw
52	052 714	Drag Knob
54	054 716	Drag Spring
56	056 440	Drag Washer-HT100
57	057 716	Drag Washer Metal
60	060 716	Spool Sleeve Washer
75N	075N4300	Anti-Reverse Button
75P	075P4300	Button Spring Pin
75S	075S4300	Anti-Reverse Button Spring
106	106 5500	Cam Lever Spring
132	132 420	Roller Washer
227	227 4300	Bail Spring Cover
231	231 4300	Crosswind Gear
231A	231A4300	Crosswind Gear Screw
233	233 4300	Bearing Cover