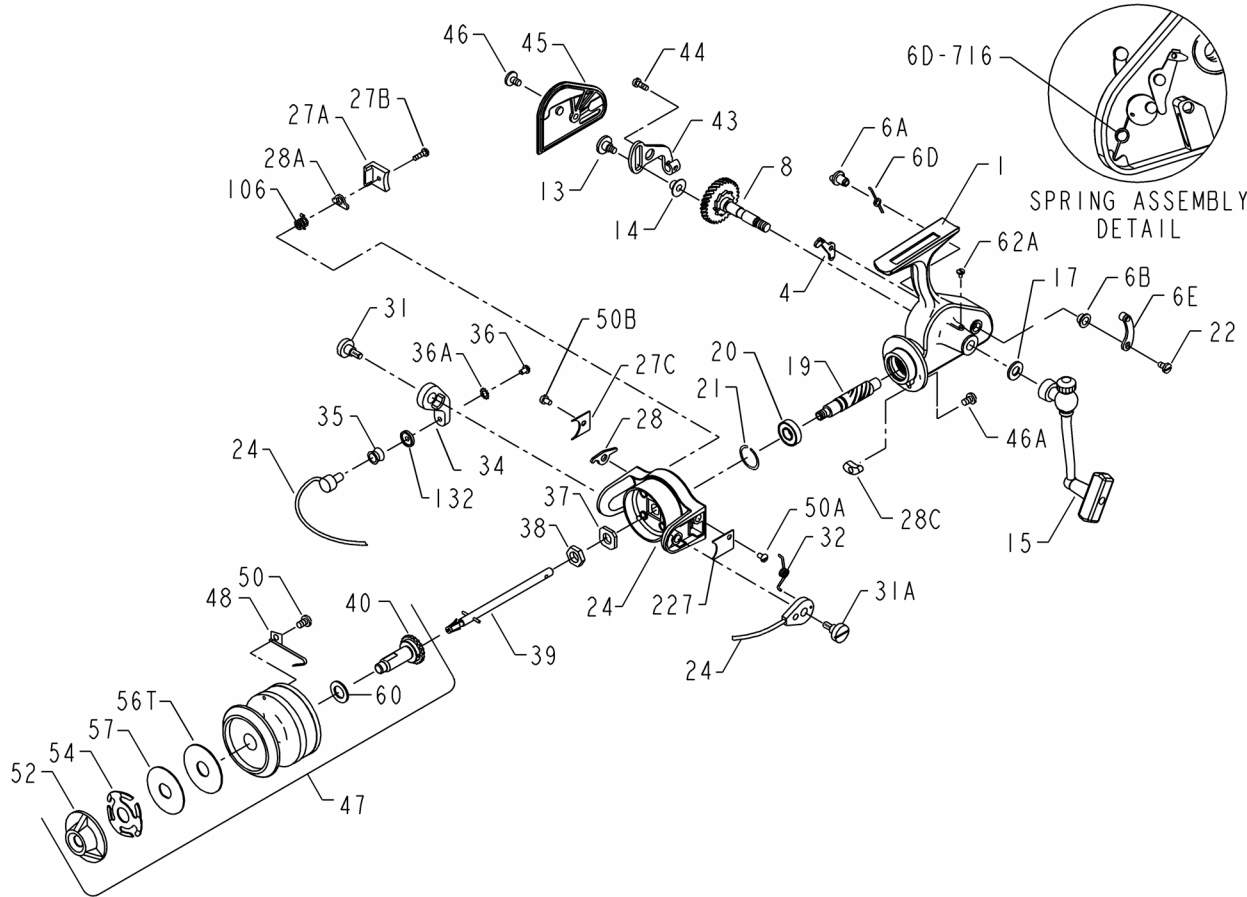




PARTS LIST FOR MODELS 420 AND 430



NOT ALL PARTS ARE AVAILABLE.

KEY NO.	420 PART NO.	430 PART NO.	DESCRIPTION
1	001 420	001 430	Housing w/i Bushing
4	004 420	004 420	Dog
6A	006A716	006A716	Eccentric
6B	006B700Z	006B700Z	Eccentric Liner
6D	006D716	006D716	Eccentric Spring
6E	006E716	006E716	Eccentric Lever
7	007 716	007 716	Pinion Bushing
8	008 420	008 420	Main Gear Ratchet & Shaft
13	013 716	013 716	Crosswind Screw
14	014 716	014 716	Crosswind Roller
15	015 716Z	015 714Z	Handle Complete
17	017 716	017 716	Handle Washer
19	019 716	019 716	Pinion Gear
20	020 722	020 722	Ball Bearing
21	021 722	021 722	Bearing Retainer
22	022 109	022 109	Eccentric Screw
24	024 420	024 430	Bail Wire
27	027 420	027 430	Rotor Cup
27A	027A420	027A420	Bail Trip Cover
27B	027B420	027B420	Bail Trip Cover Screw
27C	027C420	027C420	Trip Lever Cover
28	028 420	028 420	Trip Lever
28A	028A450	028A450	Cam Lever
28C	028C420	028C420	Trip Cam
31	031 420	031 420	Bail Arm Screw
31A	031A420	031A420	Bail Cam Screw
32	032 420	032 420	Bail Spring
34	034 420	034 420	Bail Arm
35	035 420	035 420	Liner Roller
36	036 420	036 420	Bail Stud Screw
36A	036A750	036A750	Lock Washer
37	037 420	037 420	Rotor Cup Washer
38	038 720	038 720	Rotor Cup Nut
39	039 420	039 420	Spool Shaft (Complete)
40	040 716	040 716	Spool Sleeve (Complete)
43	043 716	043 716	Crosswind Arm
44	044 716	044 716	Crosswind Shaft Screw
45	045 420	045 430	Housing Cover
46	046 716	046 716	Housing Cover Screw
46A	046A704	046A704	Housing Plate Screw
47	047 420	047 430	Spool (Complete)
48	048 420	048 430	Click Spring
50	050 420	050 420	Click Spring Screw
50A	050 712	050 712	Bail Spring Cover Screw
50B	050 716	050 716	Trip Lever Cover Screw
52	052 716	052 714	Drag Knob
54	054 716	054 714	Drag Spring
56T	056T716	056T714	Drag Washer (Teflon®)
57	057 716	057 430	Metal Keyed Washer
60	060 716	060 716	Rear Drag Washer
62A	062A716	062A716	Oiler Screw
106	106 450	106 450	Lever Spring
132	132 420	132 420	Roller Washer
227	227 420	227 420	Bail Spring Cover