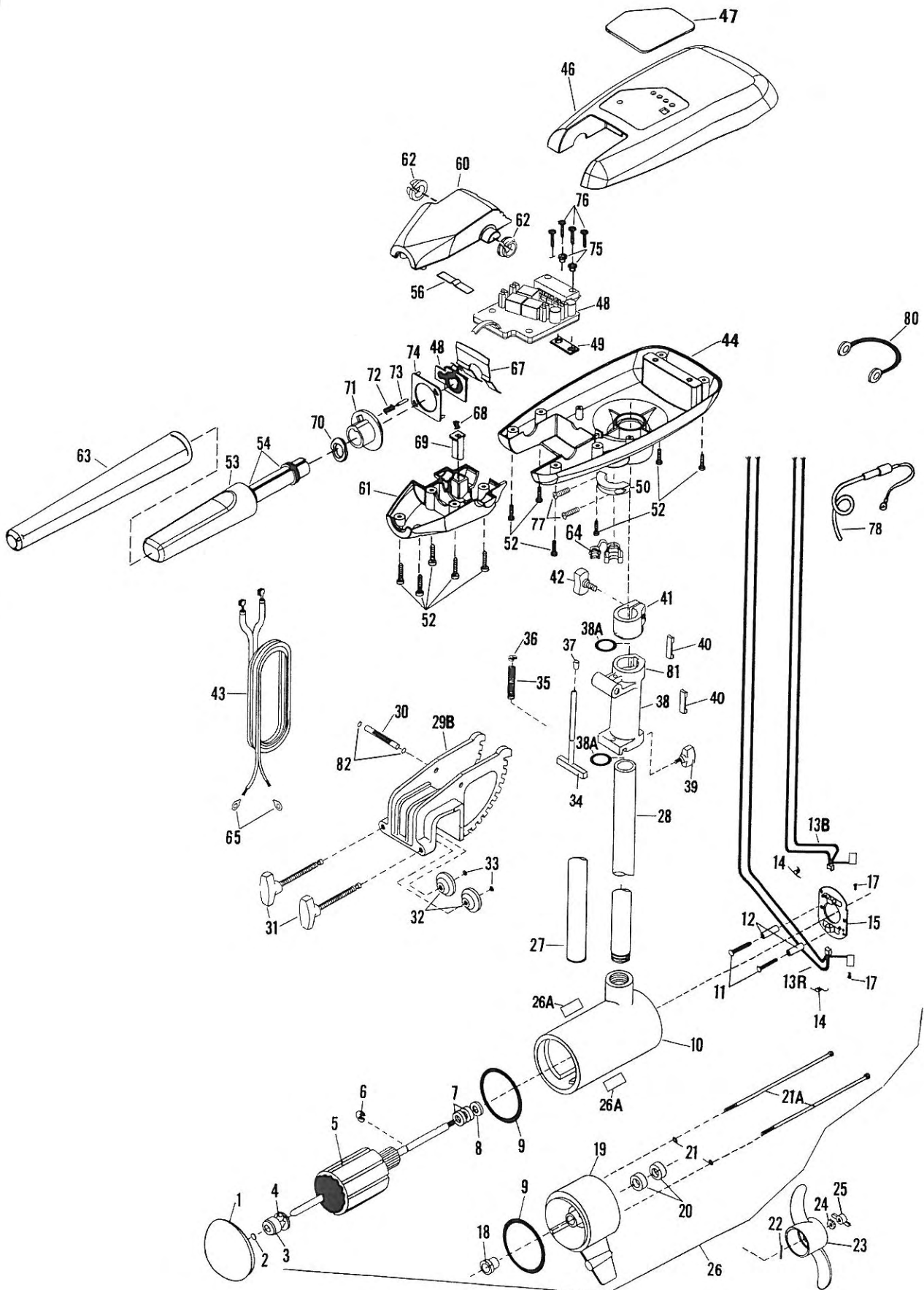


# PARTS DIAGRAM



# Model 3.1 HP/S, 4.3 HP/S

## REPLACEMENT PARTS

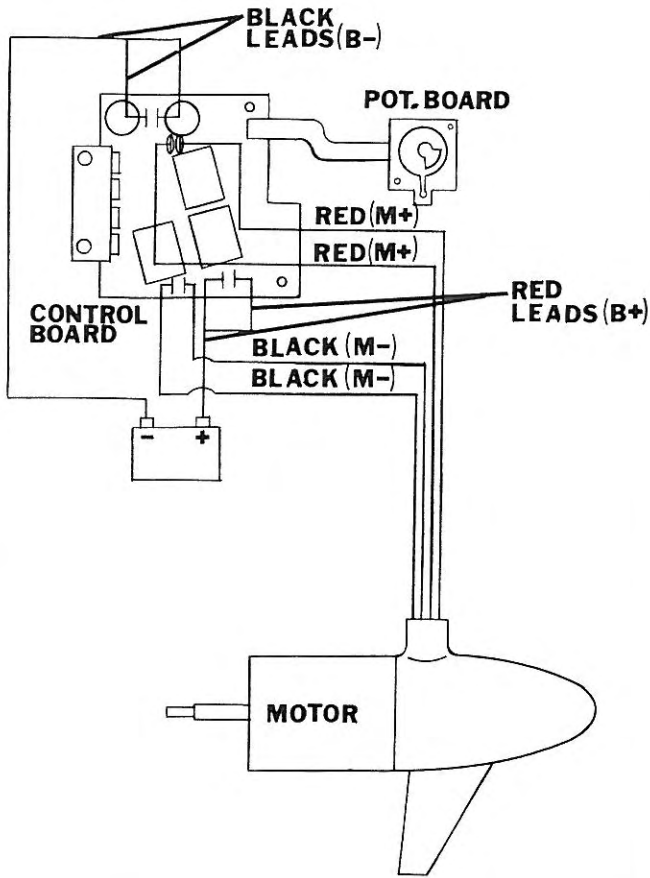
In the U.S.A., replacement parts may be ordered from the Minn Kota Parts Dept., JWA North America, 1531 E. Madison Ave., Mankato, MN 56002. In Canada, parts may be ordered from any of the Canadian Authorized Service Centers shown on the enclosed list. Be sure to provide the MODEL and SERIAL numbers of your motor when ordering parts and please use the correct part Numbers from the Parts List. Payment for parts ordered from the Minn Kota Parts Dept. may be by cash, check, MasterCard, Visa card, or UPS C.O.D. To order call 1-800-227-6433.

Item No.	Part No.	Description	Item No.	Part No.	Description
1	409-024	Front End Bell	36	201-3000	E-Ring
2	406-050	Thrust Disc	37	201-0100	Tilt Knob
3	409-600	Spherical Bearing	38	203-1852	Hinge
4	409-301	Bearing Retainer	38A	203-7300	Bushing (2 req'd.)
5	410-202	Armature Assembly-3.1 HP/S	39	201-1385	Screw-Tension
5A	410-203	Armature Assembly-4.3 HP/S	40	203-2800	Tension Block (2 req'd.)
6	409-300	E-Ring	41	203-1520	Collar
7	409-170	Thrust Washer-Steel (2 req'd.)	42	201-1365	Screw-Collar
8	409-171	Thrust Washer-Nylatron	43	233-0600	Leadwire (Includes Battery Terminals)
9	409-460	O-Ring (2 req'd.)	44	206-2582	Control Box
10	409-257	Center Section w/Magnets	46	230-0228	Control Box Cover-3.1 HP/S
11	405-341	Brush Plate Screw (2 req'd.)	46	230-0229	Control Box Cover-4.3 HP/S
12	405-151	Brush Plate Spacer (2 req'd.)	47	233-5605	Decal-Cover-3.1 HP/S
13R	409-071	Brush Assembly (Red)	47	234-5605	Decal-Cover-4.3 HP/S
13B	409-072	Brush Assembly (Black)	48	233-4005	Control Board Assembly-3.1 HP/S
14	406-083	Brush Spring (2 req'd.)	48	234-4005	Control Board Assembly-4.3 HP/S
15	409-401	Brush Plate Assembly	49	236-5105	Insulating Pad
17	409-343	Set Screw (2 req'd.)	50	206-1500	Collar
18	409-000	Flange Bearing	52	230-3412	Screw (11 req'd.)
19	409-033	Rear End Bell	53	299-0915	Handle Assembly Complete
20	409-461	Seal (2 req'd.)	54	206-0000	Handle Bearing (2 req'd.)
21	409-462	O-Ring Thru Bolt (2 req'd.)	56	230-2742	Spring-Off Detent
21A	409-352	Thru Bolt (2 req'd.)	60	206-0411	Handle-Top Half
22	209-2600	Drive Pin	61	206-0415	Handle-Lower Half
23	233-1120	Propeller	62	206-0005	Bearing-Handle Pivot (2 req'd.)
24	209-1700	Lock Washer	63	206-0425	Handle Ext.
25	209-3100	Prop Nut	64	233-2900	Strain Relief
26	233-7070	Motor Assembly Complete-3.1 HP/S	65	209-0700	Ring Terminals (2 req'd.)
26	231-7030	Motor Assembly Complete-4.3 HP/S	67	230-2743	Spring-Handle Tilt Detent
26A	206-6648	Motor Decal (2 req'd.)	68	230-2745	Spring-Release Button
27	200-5500	Decal Tube	69	230-3720	Release Button-Handle
28	203-2057	Tube 36"	70	230-2741	Spring-Cam
28A	203-2053	Tube 42" (optional)	71	230-2850	Actuator-Cam
29	299-1960	Hinge & Bracket Assembly (Includes #29A, 30-40)	72	230-2740	Spring-Actuator
29A	277-1901	Bracket & Clamp Screw Assembly (Includes #29B, 31-33)	73	230-2600	Pin-Actuator
*29B	203-1901	Bracket (Order #29A) (Not Available Separately)	74	230-2851	Actuator-Fwd/Rev.
30	201-0511	Hinge Pin	75	230-1710	Washer-Insul. (2 req'd.)
31	201-1375	Clamp Screw (2 req'd.)	76	237-2100	Screw (4 req'd.)
32	201-1710	Clamp Washer (2 req'd.)	77	230-1310	Screw (2 req'd.)
33	201-3010	Retaining-Ring (2 req'd.)	78	206-0310	Connecting Ground Wire-Fused
34	203-3600	T-Bar	80	234-0610	Connector Cable-4.3 HP/S
35	201-2700	T-Bar Spring	81	200-5705	Serial No.

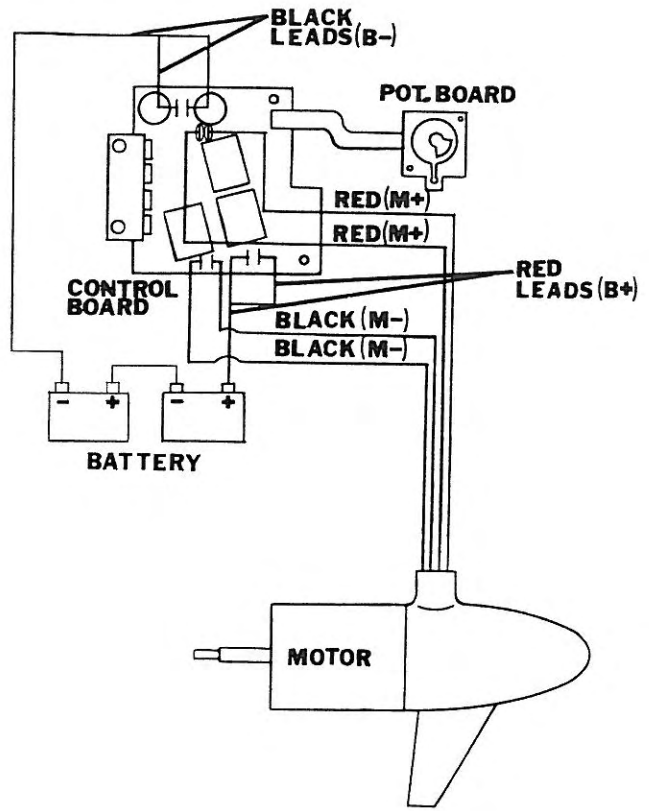
\* This item is part of an assembly. This item cannot be sold separately due to machining and/or assembly that is required.

# WIRING DIAGRAM

## 3.1 HP/S



## 4.3 HP/S



# **MINN KOTA**

ELECTRIC FISHING MOTORS

1531 E MADISON AVENUE  
PO BOX 8129  
MANKATO MINNESOTA 56002-8129  
PARTS, SERVICE WARRANTY:  
CALL TOLL FREE:  
1-800-227-6433  
FAX NO. 800-527-4464