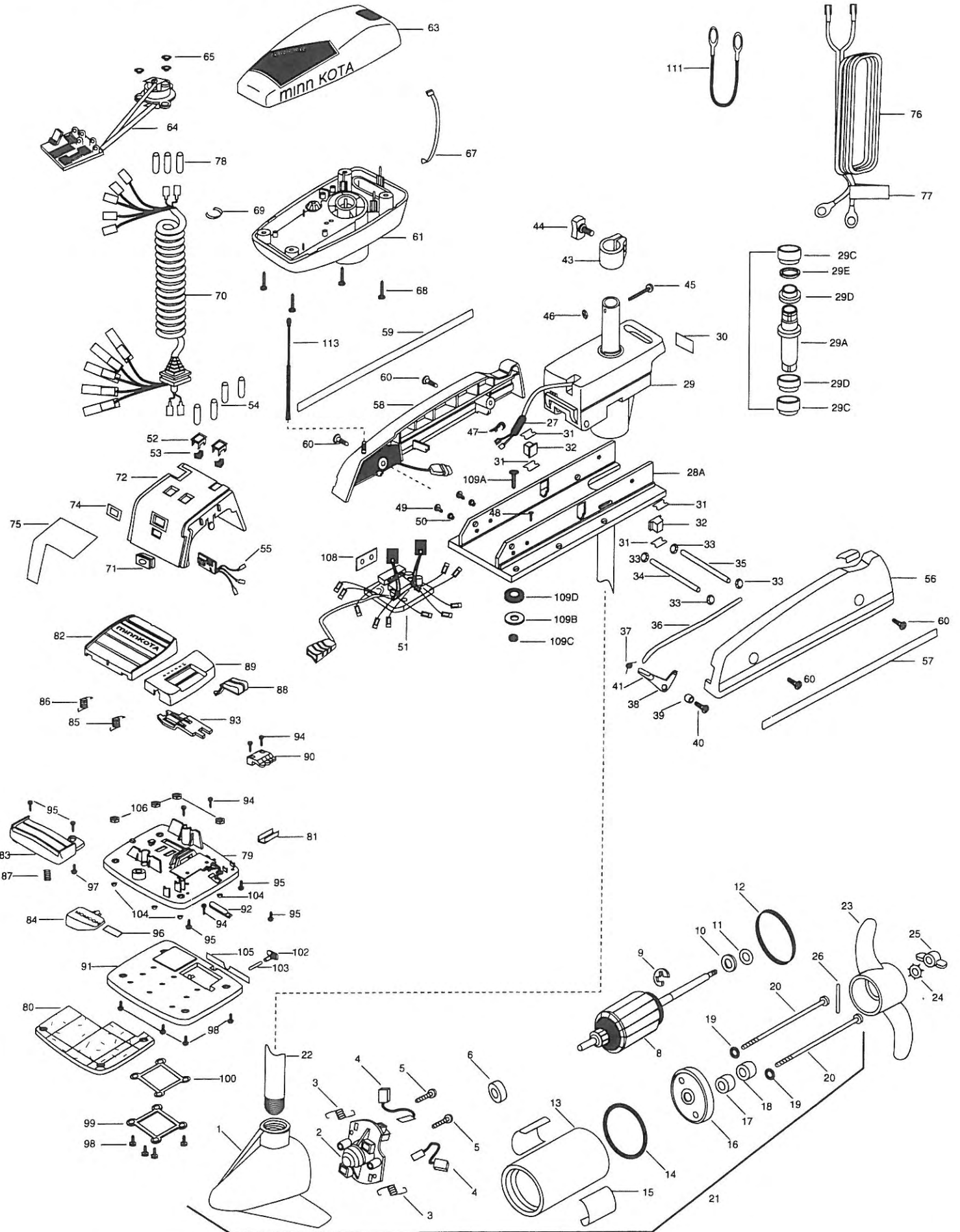


36PD/AP/C 42PD/AP/C 48PD/AP/C



In the U.S.A., replacement parts may be ordered directly from MINN KOTA Parts Dept., JWA North America, 1531 E. Madison Avenue, Mankato, Minnesota 56001. In Canada, parts may be ordered from any of the Canadian Authorized Service Centers shown on the enclosed list. Be sure to provide the MODEL and SERIAL numbers of your motor when ordering parts. Please use the correct part numbers from the parts list. Payment for any parts ordered from the MINN KOTA parts department, may be by cash, personal check, Discover Card MasterCard, VISA, or UPS C.O.D. To order, call 1-800-227-6433 or FAX 1-800-527-4464.

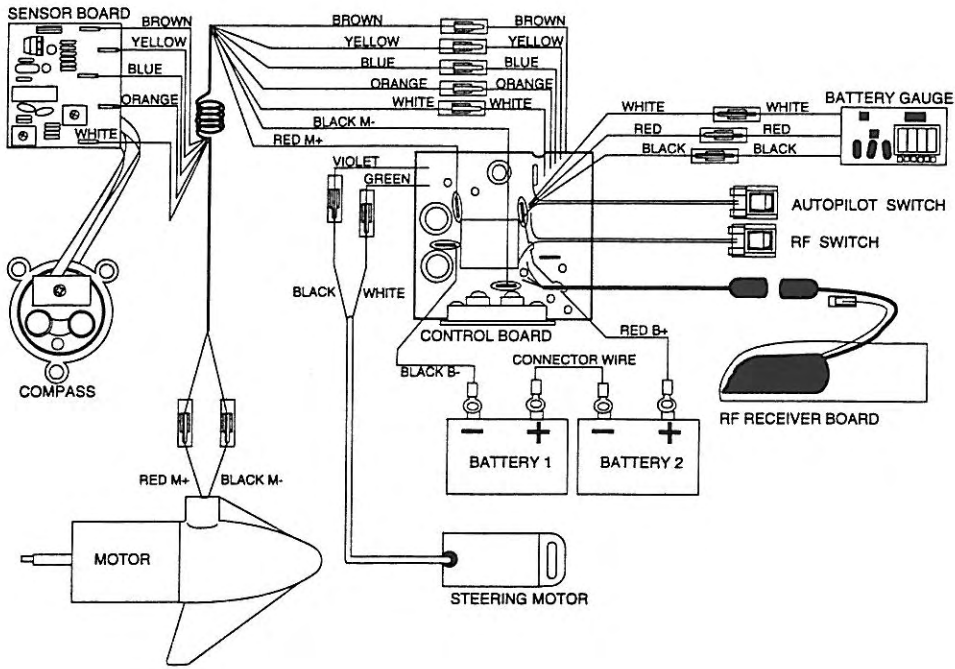
Hors de États-Unis, veuillez vous reporter à la liste ci-jointe pour le Centre de Service Agréé MINN KOTA le plus proche. Ne pas oublier de fournir les numéros de Modèle et de Série de votre Moteur lorsque vous placez une commande. Employez toujours le numéro de pièce exact se trouvant sur la liste des pièces de remplacement.

Fora da América do Norte, queira consultar a lista anexa para identificar o Centro de Serviço Autorizado MINN KOTA. Não deixe de incluir o número do MODELO e o número de SÉRIE do seu motor ao pedir peças. Sempre use os números corretos das peças da lista de peças.

1	406022	FRONT ENDBELL 36PD/AP/C	*29E	2304600	O-RING	76	2090600	LEADWIRE (10 GA) RINGS
	406023	FRONT ENDBELL	*29F	2307025	MOTOR DRIVE HOUSING W/WIRE & GROMMET	77	2305800	DECAL LEADWIRE (BATTERY)
2	406404	BRUSH PLATE ASSEMBLY 36PD/AP/C	30	2305519	DECAL-STEERING MTR	78	2065400	WIRE INSULATOR (3 REQ'D)
	406403	BRUSH PLATE ASSEMBLY	31	2305110	PAD-PIVOT SUPPORT (4 REQ'D)	79	2994708	FOOT PEDAL ASSY.W/WEDGE (ITEMS 79A-106)
3	406081	BRUSH SPRING (2 REQ'D) 36PD/AP/C	32	2305100	PAD-PIVOT (2 REQ'D)	79A	2304511	FOOT PEDAL BASE-CORDLESS
	406082	BRUSH SPRING (2 REQ'D)	33	2013100	NUT-SPEED	*80	2004705	FLOTATION MATERIAL
4	406072	BRUSH ASSEMBLY (2 REQ'D) 36PD/AP/C	34	2300500	PIN-LATCH (PD BASE)	81	2308500	WEAR PLATE
	406071	BRUSH ASSEMBLY (2 REQ'D)	35	2300510	PIN-PIVOT (PD BASE)	82	2304516	FOOT PEDAL-UPPER
5	406341	BRUSH PLATE SCREW (2 REQ'D) 36PD/AP/C	36	2303610	ROD-RELEASE (11 GA.)	83	2304520	FOOT PEDAL-LOWER
	406342	BRUSH PLATE SCREW (2 REQ'D)	37	2302700	SPRING- RELEASE LEVER	84	2307210	LEVER MOM/CON
6	406010	BALL BEARING	38	2303710	LEVER-RELEASE	85	2302730	SPRING-LONG-UPPER PEDAL
8	405204	ARMATURE ASSEMBLY 36PD/AP/C	39	2301700	SPACER-RELEASE LEVER	86	2302731	SPRING-SHORT-UPPER PEDAL
	406208	ARMATURE ASSEMBLY 42PD/AP/C	40	2303430	SCREW-1/4-20 x 5/8	87	2302732	SPRING-LOWER PEDAL SS
	406207	ARMATURE ASSEMBLY 48PD/AP/C	42	2300101	RELEASE-KNOB	88	2300120	KNOB-SPEED SELECTOR
9	405300	E-RING	43	2031521	COLLAR DRIVE W/INSERT	89	2300122	HOUSING-SPEED SELECTOR
10	406170	THRUST WASHER- STEEL (AS REQ'D)	44	2011365	SCREW-COLLAR KNOB	90	2302840	ACTUATOR-BOARD
11	405171	THRUST WASHER- NYLATRON (AS REQ'D)	45	2332102	SCREW-10-24 X 1-3/4 SS	91	2994707	WEDGE ASSEMBLY
12	406480	GASKET 36PD/AP/C	46	2333101	NUT-HEX SS	92	2302841	ACTUATOR-MOM/CON
	406490	GASKET	47	2302935	STRAIN RELIEF-DR. HOUSING	93	2302842	ACTUATOR-STEERING
13	405257	CENTER SECTION W/MAGNETS 36PD/AP/C	48	2332100	SCREW-8-32 X 3/8	94	2302100	SCREW-6-20 X 1/2 (5 REQ'D)
	409253	CENTER SECTION W/MAGNETS	49	2332101	SCREW-8-32 X 1/2 SS (2 REQ'D)	95	2372100	SCREW-8-18 X 5/8 SS (5 REQ'D)
14	406460	O-RING 36PD/AP/C	50	2301710	WASHER-INSUL. TRANSF. BAR (2 REQ'D)	96	2266610	DECAL ON/OFF SWITCH
	406470	O-RING	51	2304025	CTRL BRD ASSY-12V AP/C	97	2335130	BUMPER ACTUATOR
15	2006606	DECAL (2 REQ'D) RED		2304027	CTRL BRD ASSY-24V AP/C	98	2301310	SCREW-#8 THD 1/2 SS (4 REQ'D)
	2006605	DECAL (2 REQ'D) GOLD	52	2304072	BEZEL-SWITCH (2 REQ'D)	99	2300250	COVER-BATTERY COMPARTMENT
16	406032	REAR ENDBELL 36PD/AP/C	53	2304073	SWITCH-ROCKER (2 REQ'D)	100	2304602	GASKET-BATTERY COMPARTMENT
	406033	REAR ENDBELL	54	2375400	SHRINK TUBE-1/4 OD (4 REQ'D)	101	2303426	SCREW- 1/4-20 (4 REQ'D)
17	406461	SEAL	55	2034031	BATTERY METER-ELECT. 12 V	102	2304080	SWITCH-RF FOOT PEDAL
18	406471	SEAL- CUP		2034032	BATTERY METER-ELECT. 24 V	103	2304081	MAGNET- SWITCH
19	401462	O-RING —THRU BOLT (2 REQ'D) 36PD/AP/C	56	2993801	SIDEPLATE(LEFT)W/REST PAD	104	2305131	RUBBER BUMPER (4 REQ'D)
	405462	O-RING —THRU BOLT (2 REQ'D)	57	2004929	DECAL-LF SIDEPLATE 36PD/AP/C	105	2306622	DECAL- OFF/ON
20	405352	THRU BOLT (2 REQ'D) 36PD/AP/C		2004917	DECAL-LF SIDEPLATE	106	2303115	HEX NUT 1/4-20 (4 REQ'D)
	406353	THRU BOLT (2 REQ'D)	58	2304924	NR96-SIDEPLATE-W/RCVR-A/P	108	2305141	INSULATION PAD
21	2069026	MOTOR ASSEMBLY 36PD/AP/C	59	2004928	DECAL-RT SIDEPLATE 36PD/AP/C	109	2994803	BAG ASSEMBLY (ITEMS 109A-109D)
	2099051	MOTOR ASSEMBLY 42PD/AP/C		2004916	DECAL-RT SIDEPLATE	*109A	2153501	BOLT-MOUNTING W/STGD (4 REQ'D)
	2889052	MOTOR ASSEMBLY 42PD/AP/C 54"	60	2303430	SCREW-1/4-20 X 5/8 (4 REQ'D)	*109B	2151726	WASHER-STANDARD 5/16 SS (4 REQ'D)
	2099056	MOTOR ASSEMBLY 48PD/AP/C	61	2302513	CONTROL BOX (PLASTIC)	*109C	2153100	NUT-MOUNTING (4 REQ'D)
	2889057	MOTOR ASSEMBLY 48PD/AP/C 54"	63	2300211	CONTROL BOX COVER- RED 36PD/AP/C	*109D	2301720	WASHER-MOUNTING (6 REQ'D)
22	2032053	TUBE 42"		2300212	CONTROL BOX COVER- GOLD	111	2090620	CONNECTOR CABLE (24V ONLY)
	2032054	TUBE 48" OPTIONAL	64	2994000	CONTROL BOARD COMPASS ASSY	113	2005115	RF ANTENNA
	2032055	TUBE 54" OPTIONAL	65	2302960	GROMMET-COMPASS (3 REQ'D)			
23	2061125	PROPELLER (W.WEDGE) 36PD/AP/C ONLY	66	2332103	SCREW-6-20 X 3/8 (2 REQ'D)			
	2091150	PROPELLER (W.WEDGE)	67	2256300	TIE WRAP-5.5"-BLACK			
24	2051700	LOCKWASHER-PROP	68	2372100	SCREW-8-18 X 5/8 SS (4 REQ'D)			
25	2053100	NUT-PROP	69	2303001	RING-PIG			
26	2092600	PIN-DRIVE	70	2301220	COIL CORD-W/STRAIN RELIEF 42"			
27	2304079	RF FILTER		2301221	COIL CORD-W/STRAIN RELIEF 48"			
*28	2991931	BASE ASSEMBLY (CORDLESS)		2301222	COIL CORD-W/STRAIN RELIEF 54"			
28A	2301912	BASE MACHINED	71	2302920	GROMNET-LEADWIRE/SP.COVER			
29	2301840	DRIVE HOUSING	72	2306532	COVER-SPEED CONTROL			
29A	2302001	DRIVE HOUSING SLEEVE	74	2306605	DECAL BATTERY GAUGE			
*29B	2887301	BUSHING KIT (29C, 29D, 29E)	75	2305603	DECAL-ON/OFF 36PD/AP/C			
*29C	2307302	BUSHING- INSIDE (2 REQ'D)		2305604	DECAL-ON/OFF 42PD/AP/C			
*29D	2307303	BUSHING- OUTSIDE (2 REQ'D)		2305605	DECAL-ON/OFF 48PD/AP/C			

* This item is part of an assembly. This item cannot be sold separately due to machining and /or assembly that is required.

48PD/AP/C RT48/AP/C



36-42PD/AP/C RT42/AP/C

