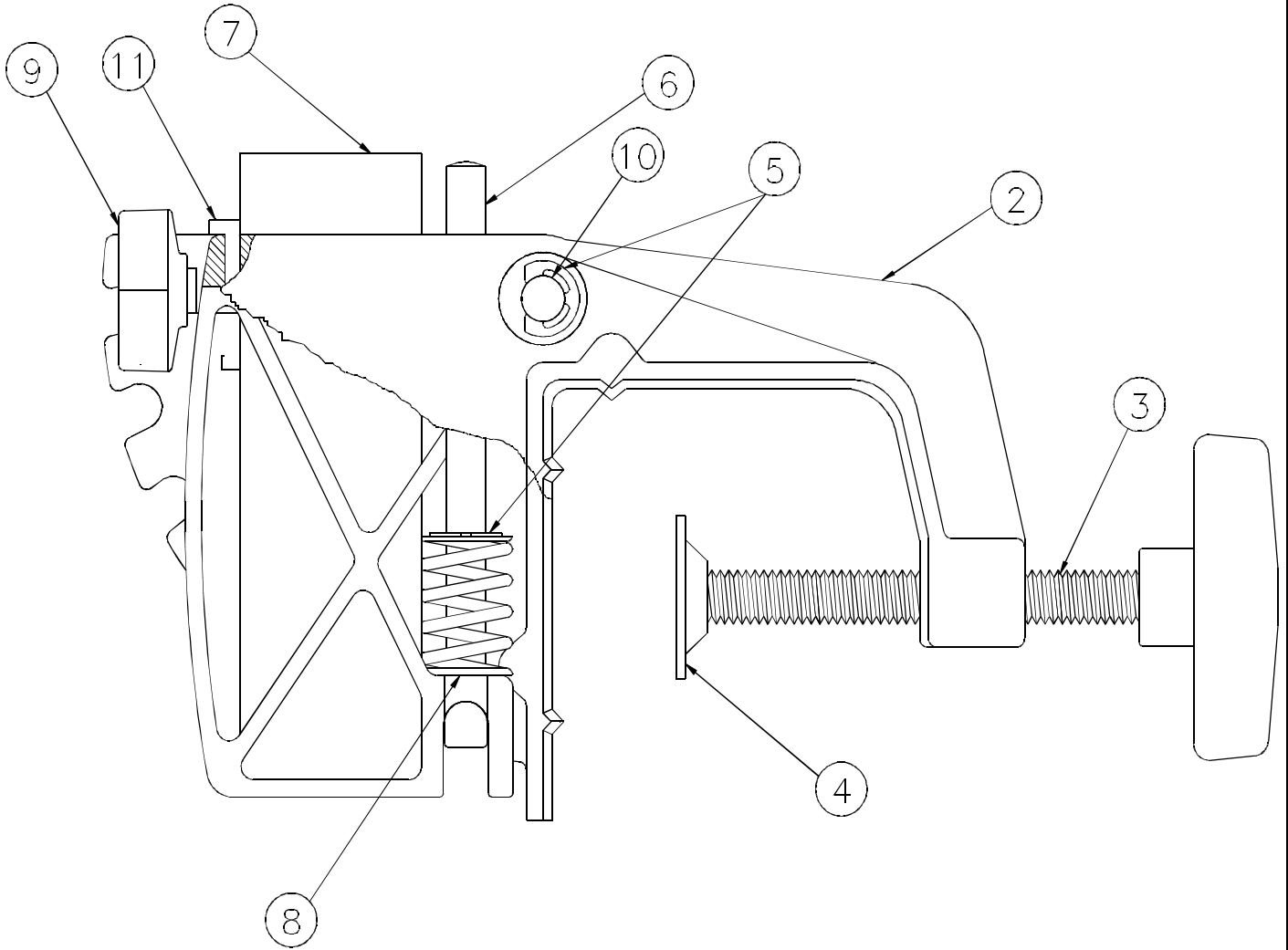


31 TRANSOM BLACK

COMPLETE ASSY: KM300-03



FEATURES

- Fits transoms up to 2 1/4" wide
- Adjustable height and tilt mechanism
- Metal bracket with durable ABS plastic column support and latch pin assembly
- Adjustable steering tension

1	11	PAD-FRICTION	CK100-04
1	10	PIN	KM103-01
1	9	KNOB FRICTION	KM082-03
1	8	SPRING	KM014-01
1	7	BRACKET	KM018-05
1	6	LOCK PIN	KM024-02
3	5	E RING	AK046-02
2	4	WASHER	CK171-01
2	3	KNOB BAR	ZK082-03
1	2	CLAMP BRACKET	KM011-03
1	1	SWIVEL & CLAMP ASS'Y	KM192-03
NO. REQ'D	ITEM NO.	PART	PART NO.

MATERIAL:

SEE ABOVE

FINISH:

PART NAME

SCHEMATIC-31 MT. ASS'Y

MotorGuide

ZEBCO/MOTORGUIDE
P.O. BOX 4345
STARKVILLE, MISSISSIPPI 39759
ZEBCO CORPORATION, A BRUNSWICK CO.

STANDARD TOLERANCES
UNLESS SPECIFIED
DECIMAL .XX +/- .010
DECIMAL .XXX +/- .005
ANGULAR +/- 1°

DRN BY *RA* 8-28-92

CHK BY *RA* 8-28-92

APP BY BH 8-28-92

SCALE NONE

DWG. NO.

KM192-03