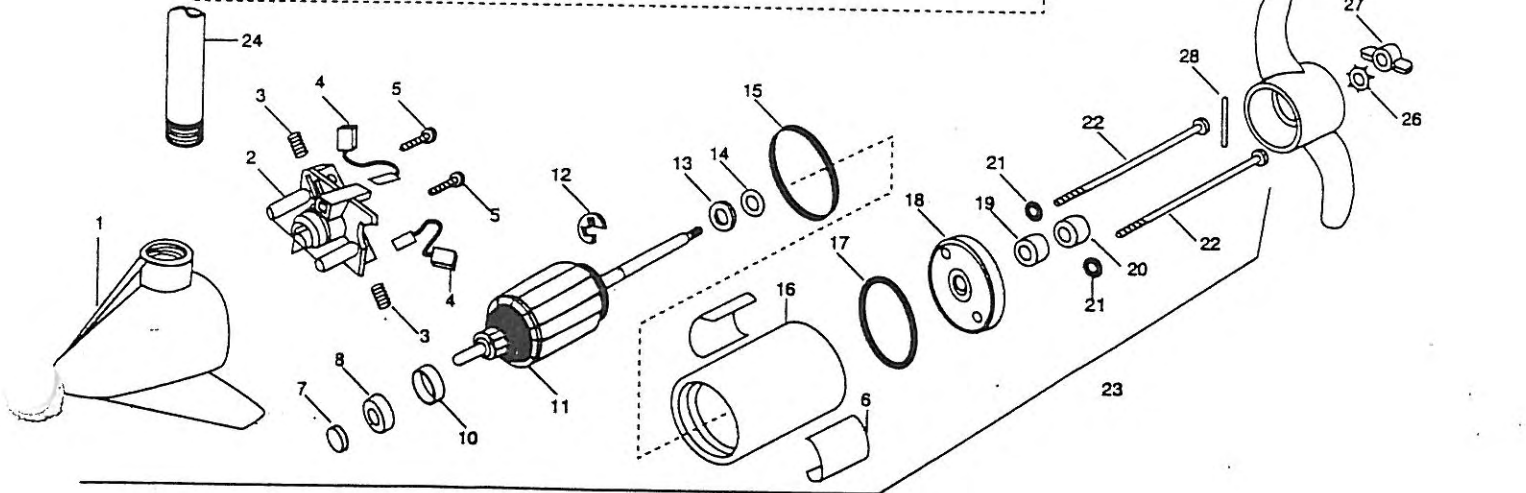
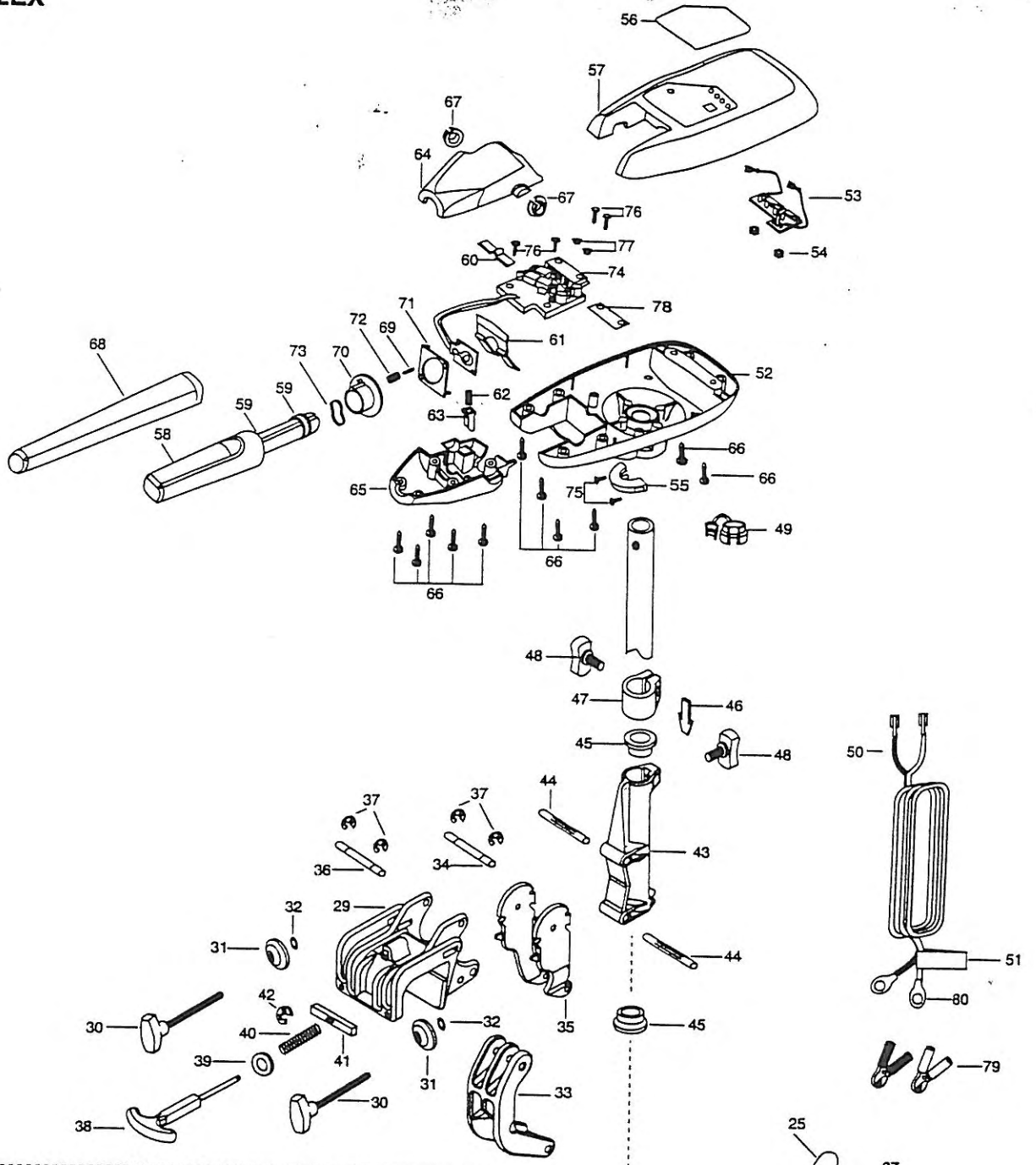


30EX 36EX 42EX



1	406022	FRONT ENDBELL 30EX EX36	26	2051700	LOCKWASHER-PROP	66	2303412	SCREW-6-20 X 5/8 SELF TAP
	406023	FRONT ENDBELL 42EX	27	2053100	NUT-PROP	67	2060005	BEARING-HANDLE PIVOT
2	406402	BRUSH PLATE ASSEMBLY 30EX	28	2092600	PIN-DRIVE SS	68	2060425	HANDLE (EXTENSION)
	406404	BRUSH PLATE ASSEMBLY 36EX	29	2991962	BRACKET-KOTA STOW-ASSY	69	2302600	PIN-ACTUATOR
	406403	BRUSH PLATE ASSEMBLY 42EX	29A	2771908	BRACKET ASSY (INCLUDES 29B-32)	70	2302850	ACTUATOR-CAM
3	406081	BRUSH SPRING 30EX 36EX ( 2 REQ'D )	29B	2031920	BRACKET-DIE CAST PAINTED (ORDER 29A)	71	2302851	ACTUATOR-FWD/REV
	406082	BRUSH SPRING 42EX ( 2 REQ'D )	30	2011375	SCREW-CLAMP KNOB	72	2302740	SPRING-ACTUATOR
4	406072	BRUSH ASSEMBLY 30EX 36EX ( 2 REQ'D )	31	2011710	WASHER-CLAMP SCREW 1.5 OD	73	2302741	SPRING-CAM
	406071	BRUSH ASSEMBLY 42EX ( 2 REQ'D )	32	2013010	RETAINING-RING	74	2064050	CONTROL BOARD ASSY 30EX 36EX
5	406341	BRUSH PLATE SCREW 30EX 36EX ( 2 REQ'D )	33	2034300	ARM-LINK (LOWER)		2194000	CONTROL BOARD ASSY 42EX
	406342	BRUSH PLATE SCREW 42EX ( 2 REQ'D )	34	2030502	PIN-PIVOT (LOWER ARM)	75	2372100	SCREW-8-18 X 5/8 SS
6	2066605	DECAL MOTOR ( 2 REQ'D )	35	2034200	ARM-LINK (UPPER)	76	2301310	SCREW-8-18 X 1/2 SS
7	401050	THRUST DISK 30EX	36	2030501	PIN-PIVOT (UPPER ARM)	77	2301710	WASHER-INSUL. (TRANSF.BAR
8	406010	BALL BEARING 36EX 42EX	37	2263010	E-RING 3/8 DIA. SHAFT	78	2365105	INSULATING PAD
10	406090	BRUSH HOLDER 30EX	38	2030980	HANDLE-TILT	79	2010700	BATTERY CLIPS 30EX 36EX
11	406206	ARMATURE ASSEMBLY 30EX	39	2031701	WASHER-SPRING SEAT SS	80	2090700	RING TERMINALS 42EX
	405204	ARMATURE ASSEMBLY 36EX	40	2012701	SPRING-LOCKBAR SS		2060310	CONNECT' GROUND WIRE 42EX ONLY
	406208	ARMATURE ASSEMBLY 42EX	41	2033605	LOCKBAR (KOTA STOW)			
12	405300	E-RING	42	2033011	E-RING 5/32 SS			
13	406170	THRUST WASHER- STEEL ( AS REQ'D )	43	2032020	TUBE-GUIDE (KOTA STOW)			
14	405171	THRUST WASHER- NYLON ( AS REQ'D )	44	2030500	PIN-PIVOT (LINK/TUBE)			
15	406480	GASKET 30EX 36EX	45	2037300	BUSHING-HINGE			
	406490	GASKET 42EX	46	2032800	TENSION BLOCK			
16	406255	CENTER SECTION W/MAGNETS 30EX	47	2031520	COLLAR-DEPTH (W/O INSERT)			
	405257	CENTER SECTION W/MAGNETS 36EX	48	2011365	SCREW-COLLAR/NEW KNOB			
	409253	CENTER SECTION W/MAGNETS 42EX	49	2052900	STRAIN RELIEF			
17	406460	O-RING 30EX 36EX	50	2050600	LEADWIRE (10 GA) CLIPS 30EX 36EX			
	406470	O-RING 42EX		2090600	LEADWIRE (10 GA) RINGS 42EX			
18	406034	REAR ENDBELL 30EX 36EX	51	2305800	DECAL LEADWIRE (BATTERY)			
	406033	REAR ENDBELL 42EX	52	2062580	CONTROL BOX-DIE CAST ZINC			
19	406461	SEAL	53	2034033	BATTERY GAUGE-12 V/4 LED			
20	406471	SEAL- CUP	54	2303120	SPEED NUT			
21	405462	O-RING —THRU BOLT 30EX 36EX ( 2 REQ'D )	55	2061510	COLLAR-CTRL BOX			
	401462	O-RING —THRU BOLT 42EX ( 2 REQ'D )	56	2365603	DECAL-COVER 30EX			
22	406352	THRU BOLT 30EX ( 2 REQ'D )		<del>2065900</del>	DECAL-COVER 36EX			
	405352	THRU BOLT 36EX ( 2 REQ'D )		2095610	DECAL-COVER 42EX			
	406353	THRU BOLT 42EX ( 2 REQ'D )	57	2030210	COVER-CONTROL BOX			
23	2369053	MOTOR ASSEMBLY 30EX	58	2990915	HANDLE ASSY W/O U-JOINT			
	2069030	MOTOR ASSEMBLY 36EX	59	2060000	HANDLE BEARING ( 2 REQ'D )			
	2099051	MOTOR ASSEMBLY 42EX	60	2302742	SPRING-DETENT (OFF) SS			
24	2032051	TUBE (COMPOSITE) 30"	61	2302743	SPRING-DETENT HANDLE-TILT			
	2032052	TUBE (COMPOSITE) 36" OPTIONAL	62	2302745	SPRING-RELEASE BUTTON SS			
	2032053	TUBE (COMPOSITE) 42" OPTIONAL	63	2303720	RELEASE BUTTON-HANDLE			
25	2061125	PROP ( WEEDLESS WEDGE) 30EX 36EX	64	2060411	HANDLE (TOP HALF)			
	2091150	PROP ( WEEDLESS WEDGE) 42EX	65	2060415	HANDLE (LOWER HALF)			

*206-5103*

30EX 36EX

