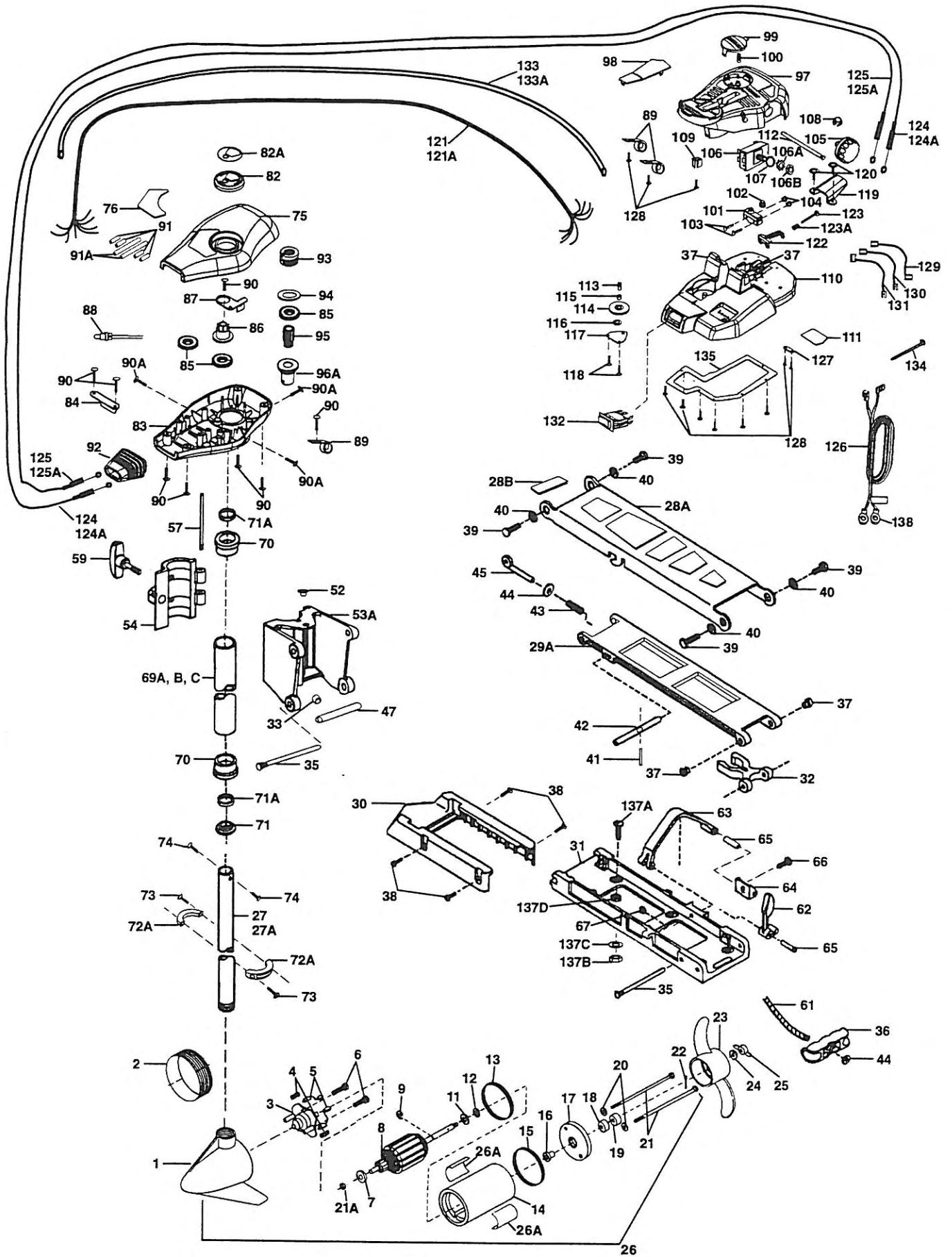


# PARTS DIAGRAM

30 AT



# MODEL 30AT

## REPLACEMENT PARTS

In the U.S.A., replacement parts may be ordered from the Minn Kota Parts Dept., JWA North America, 1531 E. Madison Ave., Mankato, MN 56001. In Canada, parts may be ordered from any of the Canadian Authorized Service Centers shown on the enclosed list. Be sure to provide the MODEL and SERIAL numbers of your motor when ordering parts and please use the correct part Numbers from the Parts List. Payment for parts ordered from the Minn Kota Parts Dept. may be by cash, check, MasterCard, VISA card, or UPS C.O.D. To order call 1-800-227-6433.

Item #	Part Number	Description	Item #	Part Number	Description
1	406-024	Front Endbell	74	226-3410	Screw (2 req'd)
2	405-246	Speed Coil (Optional)	75	226-0262	Control Box Cover
3	406-402	Brush Plate Assembly	76	226-5522	Decal-Cover
4	406-081	Brush Spring (2 req'd)	82	226-0150	Pointer Disc
5	406-072	Brush Assembly (2 req'd)	82A	226-5800	Decal Indicator
6	406-341	Brush Plate Screw (2 req'd)	83	226-2530	Control Box
7	406-090	Brushholder	84	226-1900	Bracket
8	403-207	Armature Assembly	85	226-7800	Gear Indicator (3 req'd)
9	405-300	E-Ring	86	226-2220	Indicator-Drive
11	406-170	Thrust Washer (Steel)	87	226-1905	Bracket-Indicator
12	405-171	Thrust Washer (Nylon)	88	226-4015	Light-Indicator
13	406-480	Gasket	89	226-3200	Clamp-Wire Harness (3 req'd)
14	403-255	Center Section W/ Magnets	90	230-1310	Screw (8 req'd)
15	406-460	O-Ring	90A	226-2109	Screw (3 req'd)
16	406-600	Flange Bearing	91	237-5400	Shrink Tube (4 req'd)
17	406-032	Rear Endbell	91A	235-5410	Shrink Tube (2 req'd)
18	406-461	Seal	92	226-5110	Boot-Control Box
19	406-471	Seal (Cup)	93	223-2360	Pulley-Cable Drum
20	401-462	O-Ring (Thru Bolt) (2 req'd)	94	226-1730	Washer-Nylon
21	403-354	Thru Bolt (2 req'd)	95	226-7805	Drive Pinion (Order Item #96)
21A	403-010	Ball Bearing	96	277-6203	Top Bearing Race Assembly (Includes #95, 96A)
21B	403-050	Thrust Disc	96A	226-6245	Bearing Race (Order Item #96)
22	209-2600	Drive Pin	97	226-4430	Foot Pedal
23	206-1125	Propeller	98	226-6700	Plug
24	205-1700	Lockwasher	99	226-3700	Push Button
25	205-3100	Prop Nut	100	230-2732	Spring
26	203-9071	Motor Assembly Complete (42 Std.) (48" Optional)	101	226-4020	Switch Momentary
26A	206-6641	Motor Decal (2 req'd)	102	226-5140	Boot-Switch
27	203-2063	Tube 42"	103	226-2114	Screw (2 req'd)
27A	203-2064	Tube 48" (Optional)	104	223-3100	Nut (2 req'd)
28	299-1954	Bow Mount Assembly	105	226-0170	Speed Control Knob
28A	226-4201	Arm-Upper	106	226-4025	Switch-5 Speed
28B	226-5120	Bumper	106A		Lockwasher (comes w/switch)
29	277-4302	Arm-Lower Assembly (W/items 29A, 36, 41-45, 61)	106B		Nut (comes w/switch)
29A	225-4321	Arm-Lower (Order Item #29)	107	226-1715	Spacer
30	226-3900	Motor Rest	108	226-3000	E-Ring
31	225-1942	Bow Plate	109	226-0730	Connector
32	229-3801	Tube Lock	110	226-4500	Foot Pedal Base
33	226-4705	Insert (Part of #53A)	111	226-5607	Decal-Battery
35	223-0500	Hinge Pin (2 req'd)	112	226-0510	Pin-Pivot
36	215-0400	Pull Grip	113	226-0515	Pin-Pulley
37	223-6000	Nylon Bearing (4 req'd)	114	226-2300	Pulley
38	230-3430	Screw (4 req'd)	115	226-0000	Bearing-Pulley
39	229-3511	Bolt-Upper Arm (4 req'd)	116	226-1705	Washer-Nylatron
40	229-3500	Bushing-Upper Arm (4 req'd)	117	226-6400	Cover-Pulley
41	215-2610	Spring Pin	118	230-1310	Screw (2 req'd)
42	223-3600	Lock Bar	119	226-5115	Boot-Foot Pedal
43	215-2700	Spring	120	226-2113	Screw (2 req'd)
44	215-1700	Washer (2 req'd)	121	226-1205	Wire Harness (5')
45	215-3600	Eye Shaft	121A	226-1206	Wire Harness (7')
47	223-1570	Roller Sleeve	122	226-3210	Bracket-Conduit Adj.
52	223-2350	Rope Eyelet	123	226-3460	Screw
53	277-1812	Hinge Base Assembly (Includes #52, 53A, 33)	123A	226-2720	Spring
53A	226-1811	Hinge Base	124	226-7500	Cable Assembly-Right (5')
54	226-1821	Hinge Door	124A	226-7501	Cable Assembly-Right (7')
57	226-2640	Hinge Pin	125	226-7510	Cable Assembly-Left (5')
59	226-0180	Knob-Hinge Cover	125A	226-7511	Cable Assembly-Left (7')
61	225-1600	Rope	126	226-1225	Leadwire
62	226-7200	Latch Lever	127	226-3205	Clamp
63	226-3801	Hold Down Strap	128	233-2103	Screw (11 req'd)
64	226-1910	Bracket	129	226-0300	Connecting Wire-Black (See Wiring Diagram)
65	226-0500	Roll Pin (2 req'd)	130	226-0310	Connecting Wire-White (See Wiring Diagram)
66	226-3440	Screw	131	226-0320	Connecting Wire-Red (See Wiring Diagram)
67	233-3101	Hex Nut	132	225-4031	Switch Mom/Off/Com
69	299-2015	Outer Tube Assembly (18") (Includes #69A, 70)	133	226-5430	Cable Jacket (5')
69A	227-2066	Outer Tube (18") (Order #69)	133A	226-5431	Cable Jacket (7')
69B	299-2016	Outer Tube Assembly (24") (Includes #69C, 70)	134	225-6300	Tie Wrap
69C	227-2067	Outer Tube (24") (Order #69B)	135	226-6410	Cover Plate
70	226-6260	Bearing Race (2 req'd)	137	299-4803	Bag Assembly
71	226-6115	Bearing Cone	137A	215-3501	Mounting Bolt (4 req'd) (Order #137)
71A	226-6000	Ball Bearing (2 req'd)	137B	215-3100	Mounting Nut (4 req'd) (Order #137)
72	277-1615	Collar Kit (Includes #72A, 73)	137C	215-1726	Mounting Washer (SS) (4 req'd) (Order #137)
72A	226-1615	Collar Half (2 req'd)	137D	230-1720	Mounting Washer (6 req'd) (Order #137)
73	226-3450	Screw (2 req'd)	138	209-0700	Ring Terminals (2 req'd)

**30AT, 33AT, 36AT:**

