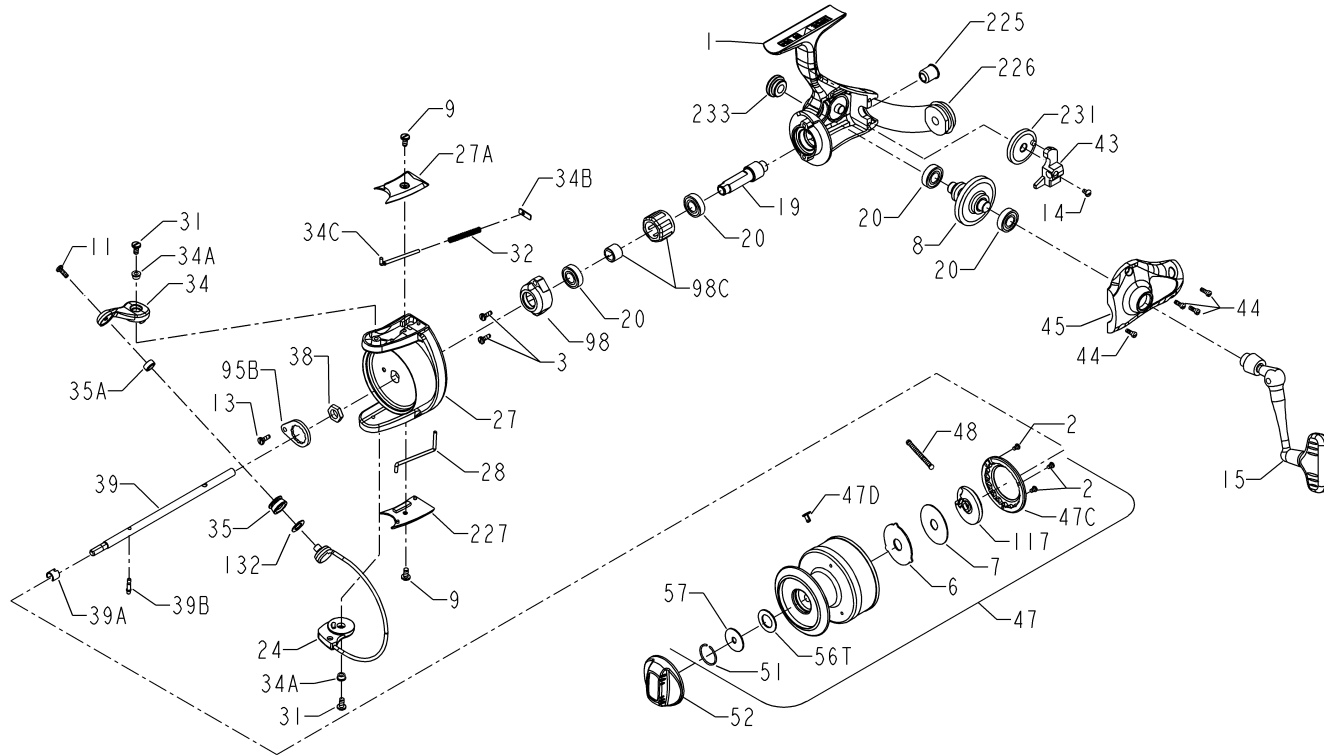




PARTS LIST FOR MODELS 260 AND 360



KEY NO.	DESCRIPTION	PART NO.
8	Main Gear	008 260
9	Screw (2 req.)	022 750
11	Screw	036 5600
13	Screw	063A2.5FR
14	Screw	044 260
15	Handle Asm	015 260
19	Pinion	019 260
20	Ball Bearing (4 req.)	020 260
24	Bail Wire Asm (260)	024 260
	Bail Wire Asm (360)	024 360
27	Rotor Cup (260)	027 260
	Rotor Cup (360)	027 360
27A	Bail Pivot Cover	027A260
28	Trip Lever	028 360
31	Screw (2 req.)	036 750
32	Bail Spring	032 260
34	Bail Arm	034 260
34A	Rotor Bushing (2 req.)	034A5600
34B	Pivot Plate	034B5600
34C	Pivot Arm	034C260
35	Line Roller	035 5600
35A	Ball Bearing	035A706
38	Rotor Nut	038 550
39	Spool Shaft Asm	039 260
39A	Locating Pin Clip	039A260
39B	Locating Pin	039B260
43	Crosswind Block	043 260
44	Screw (4 req.)	046 260
45	Housing Cover (260)	045 260
	Housing Cover (360)	045 360
47	Spool Asm (260)	047 260
	Spool Asm (360)	047 360
47C	Drag Cover	047C260
47D	Line Clip	047D5600
48	Click Tongue	048 5600
51	Retaining Ring	051 650
52	Drag Knob Asm	052 260
56T	Drag Washer (Teflon)	056T650
57	Drag Washer (Keyed)	057 5600
95B	Rotor Locking Plate	095B070
98	Clutch Retainer	098 260
98C	Clutch Bearing and Sleeve	098C360
117	Drive Plate	117 260
132	Line Roller Washer	132 5600
225	Crosswind Shaft Bushing	225 260
226	Rear Cap	226 260
227	Bail Trip Cover	227 260
231	Crosswind Gear	231 260
233	Bearing Cover	233 560

KEY NO.	DESCRIPTION	PART NO.
1	Housing (260)	001 260
	Housing (360)	001 360
2	Screw (3 req.)	044 5600
3	Screw (2 req.)	044 710
6	Main Drag Washer HT-100	056 440
7	Main Keyed Drag Washer	057 716