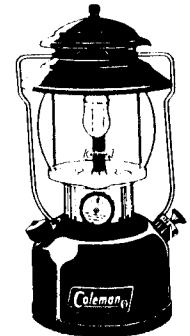


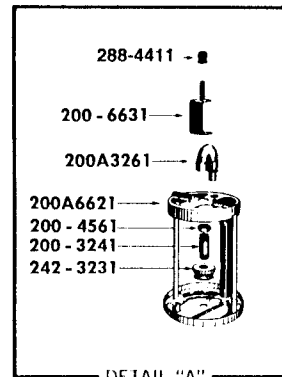
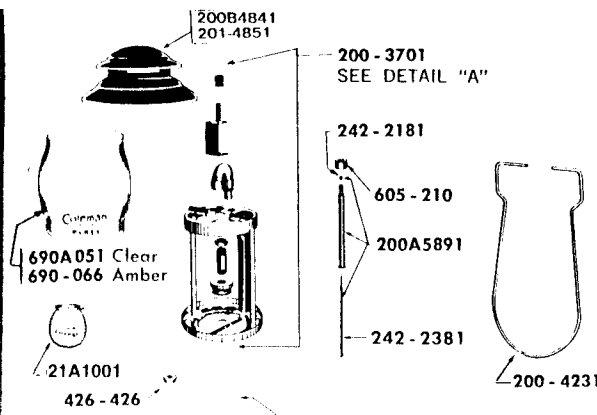
# LANTERNS

## 200A

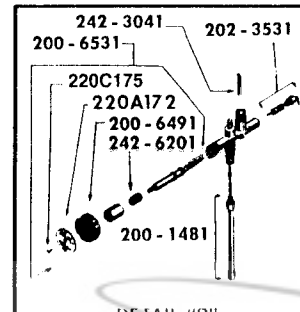
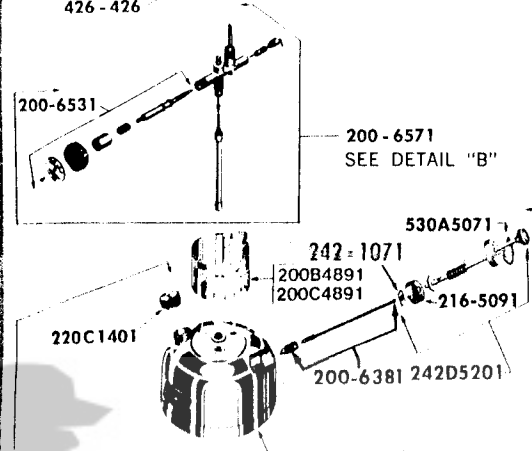
Instant Light Gasoline Sir  
Mantle Lantern  
*Discontinued Model*



New Model 200A



DETAIL "A"  
200 - 3701



DETAIL "B"  
200 - 6571

Parts Not Shown:  
118B1361 Gasket

① Quantity of Parts Used in Assembly

### Model 200A

MODEL	FINISH		LANTERN HEIGHT	FUEL CAPACITY
	Fount	Ventilator (Porcelain)		
200A195	Red	Red (5-1/2")	11-5/8"	1-5/8 Pints
200A700	Green	Green		

PART NO.	DESCRIPTION	USED ON	PART NO.	DESCRIPTION	USED ON
8B147	Lacquer, Red	Not Available	201-4851	Vent, Green	700 Not Available
21A1001	021A Mantle		202-3531	Tip Cleaner Stem	Not Available
118B1361	Filler Cap Gasket (for Cap with Disc)		288-4411	Ventilator Ball Nut	
200-1481	Tube Assembly (Fuel and Air)		216-5091	Pump Cup	
200-3241	Burner Tube		220A172	Direction Disc	
200-3701	Frame and Burner Complete	Not Available	220C175	Self-Tapping Screw (#4 - 40 - 5/16")	
200-4231	Bail	Not Available	220C1401	Filler Cap Complete	
200-4561	Lock Nut (1/2" - 32 Hex, Brass)		242-1071	Push On Nut	
200-6381	Check Valve and Stem		242-2181	Gas Tip, Marked "6"	
200-6491	Valve Wheel		242-2381	Needle Assembly for Generator	
200-6531	Valve Stem Assembly		242-3041	Eccentric Block	
200-6571	Fuel Valve Complete (Less Generator)	Not Available	242-3231	Burner Cap and Screen	
200-6631	Ventilator Bracket		242-6201	Valve Stem Packing	
200A1651	Fount Complete	195 Not Available	242D5201	Pump Plunger Assembly	
200A3261	"U" Tube and Venturi		426-426	Palnut (1/4" - 20)	
200A6621	Burner Frame Assembly	Not Available	530A5071	Pump Cap Clip	
200B4841	Ventilator	195 Not Available	605-210	Jamb Nut	
200B4891	Globe Base Rest	Not Available	690-066	550A Amber Pyrex Globe - Accessory	Not Available
200A5891	T66DL Generator		690A051	550 Clear Pyrex Globe	
200B1651	Fount, Green	700 Not Available			