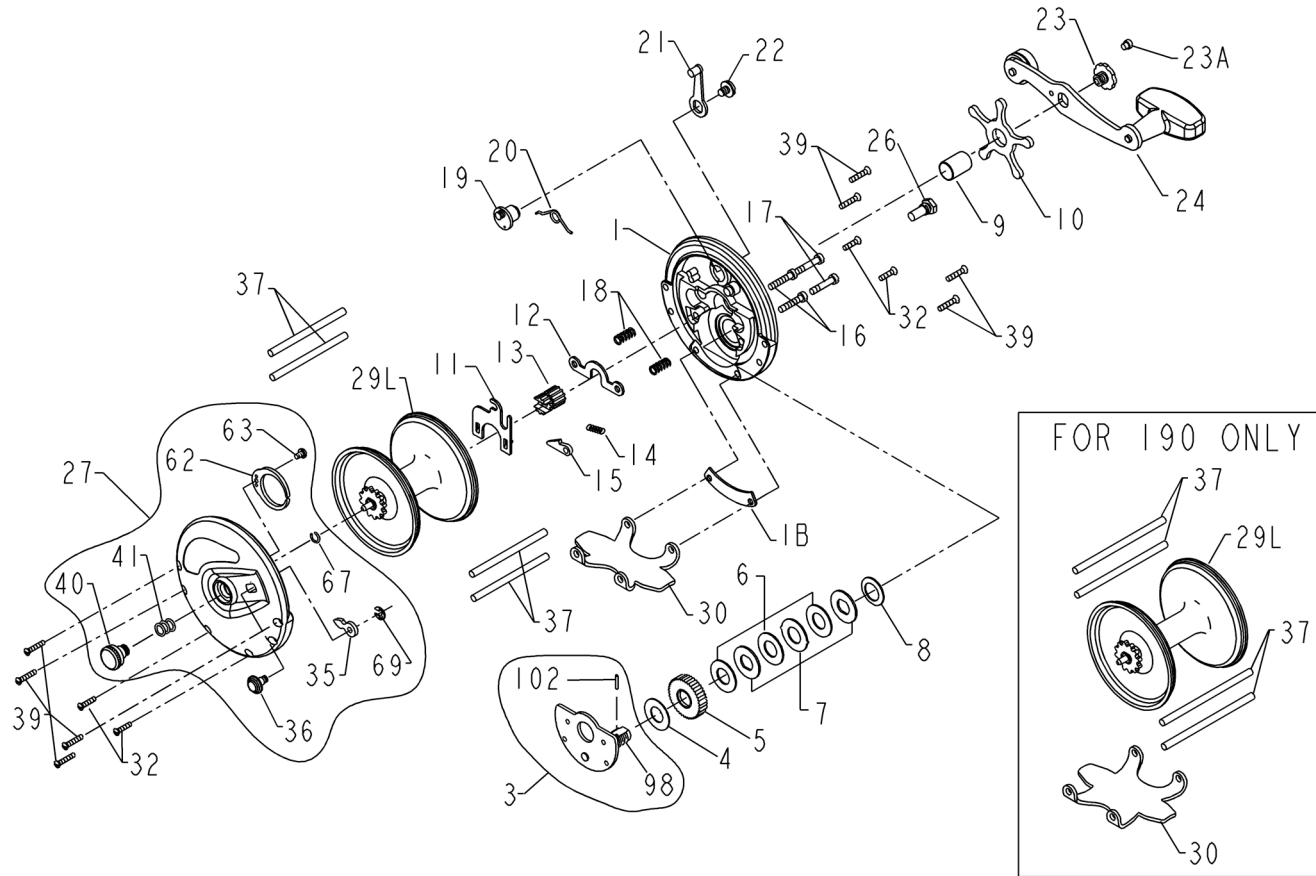




PARTS LIST FOR MODELS 185 AND 190



| <u>KEY NO.</u> | <u>PART NO.</u> | <u>DESCRIPTION</u> |
|----------------|-----------------|-----------------------------|
| 1 | 001 185 | Right Side Plate |
| 1B | 001B185 | Gear Cover |
| 3 | 003 185 | Bridge Assembly |
| 4 | 004 155 | Fiber Washer |
| 5 | 005 185 | Main Gear |
| 6 | 006 309 | Drag Washer (3 req.) |
| 7 | 007C500 | Metal Washer Set |
| 8 | 008 060 | Tension Spring |
| 9 | 009 060 | Spacing Sleeve |
| 10 | 010 060 | Star Drag Wheel |
| 11 | 011 185 | Eccentric Jack |
| 12 | 012 060 | Pinion Yoke |
| 13 | 013 185 | Pinion |
| 14 | 014 099 | Dog Spring |
| 15 | 015 085 | Dog |
| 16 | 016 060CH | Lower Bridge Screw (2 req.) |
| 17 | 017 060CH | Upper Bridge Screw (2 req.) |
| 18 | 018 060 | Clutch Spring (2 req.) |
| 19 | 019 330 | Eccentric |
| 20 | 020 155 | Eccentric Spring |
| 21 | 021 285 | Eccentric Lever |
| 22 | 022 060CH | Eccentric Screw |
| 23 | 023 060 | Handle Screw |
| 23A | 110 060 | Handle Lock Screw |
| 24 | 024 066 | Handle |
| 26 | 026 060 | Right Side Bearing |
| 27 | 027 185 | Left Side Plate Assembly |
| | 027 190 | Left Side Plate Assembly |
| 29L | 029L085 | Spool Assembly (185) |
| | 029L190 | Spool Assembly (190) |
| 30 | 030 085 | Stand (185) |
| | 030 065 | Stand (190) |
| 32 | 032 014CH | Stand Screw (4 req.) |
| 35 | 035P 060 | Click Tongue |
| 36 | 036 185 | Click Button |
| 37 | 037 111 | Frame Post (185) (4 req.) |
| | 037 065 | Frame Post (190) (4 req.) |
| 39 | 039 004CH | Side Plate Screw (8 req.) |
| 40 | 040 185 | Left Side Bearing |
| 41 | 041 060 | Left Side Bearing Spring |
| 62 | 062M309 | Click Spring |
| 63 | 063 330 | Click Spring Screw |
| 67 | 067 185 | Lock Ring |
| 69 | 069B600 | Retaining Ring |
| 98 | 098 155 | Gear Sleeve |
| 102 | 102 060 | Gear Sleeve Pin |