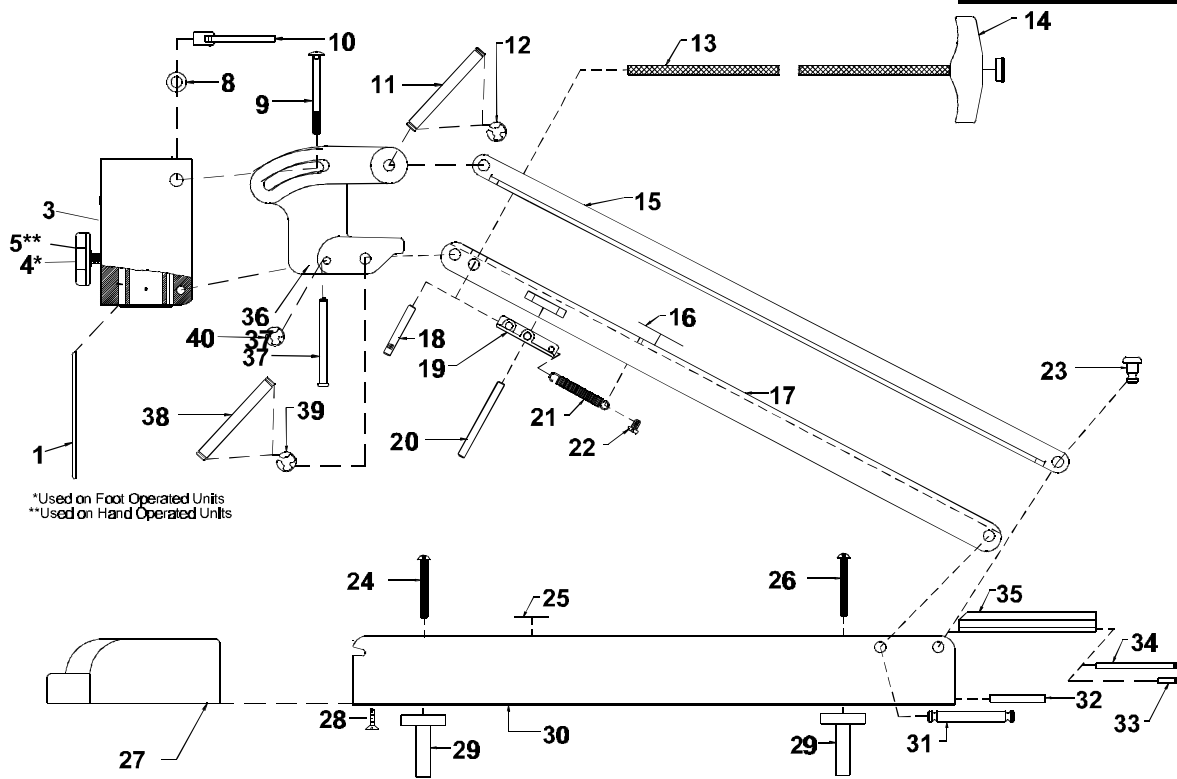


15 BOW BLACK



*Used on Foot Operated Units
 **Used on Hand Operated Units

LOCKDOWN STRAP—XT3178-01

FEATURES

- Built-in breakaway clutch
- Tie Down Strap
- Adjustable height
- One-hand stow

CONSTRUCTION

- Heavy-duty Extruded aluminum

ENVIRONMENT

- Freshwater

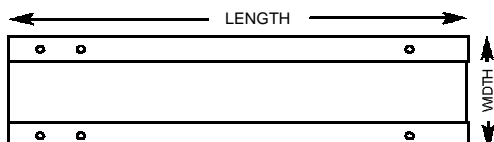
BASE DIMENSIONS

36" Mount

- Length - 17.5"
- Width - 5"
- Mounting hole size - 1/4"
- Length fully stowed - 37 1/4"

42" Mount

- Length - 20.5"
- Width - 5"
- Mounting hole size - 1/4"
- Length fully stowed - 43 1/4"



KEY

PART

DESCRIPTION

KEY #	PART #	DESCRIPTION
	DK300-01	36" COMPLETE MOUNT ASSY
	DK300-04	42" COMPLETE MOUNT ASSY
	XF159-01	FRICITION STRIP
1		
2		
3	DK018-01	FOOT OP COLUMN SUPPORT
	DK018-03	HAND OP COLUMN SUPPORT
4*	DK082-02 (2)	LOW PROFILE KNOB
5**	DK082-03	7/8 LOW PROFILE KNOB
6		
7		
8	DK011-01	CLAMP BOLT WASHER
9	DK025-01	CLUTCH BRACKET BOLT
10	AF372-01	CLAMP HANDLE ASSEMBLY
11	DK102-01	ANGLE PIN
12	BK046-01 (2)	E RING
13	AK043-01	NYLON ROPE
14	AK072-01	ROPE HANDLE & BUTTON
15	DK308-03 (2)	36" BOW ARM ANGLE
	DK308-04 (2)	42" BOW ARM ANGLE
16	AK056-01	DECAL
17	DK009-01	36" BOW ARM
	DK009-04	42" BOW ARM
18	DK108-01	INSERT TENSION PIN
19	DK013-02	LOCK SLIDE
20	AK106-03	LOCK SLIDE PIN
21	AK014-02	LOCK SLIDE SPRING
22	AK135-01	LOCK SPRING SCREW
23	BK106-01 (2)	ANGLE LOCK PIN
24	AF136-02 (2)	DECK MOUNTING SCREW (LOOP)
25	BK056-01	PROP WARNING LABEL
26	EK136-01 (2)	DECK MOUNTING SCREW (SHORT)
27	DK034-01	DECKET
28	AK137-01 (2)	DECKET SCREW
29	AK015-01 (4)	MOUNTING ISOLATOR
30	BK010-10	36" HI DECK CHANNEL
	BK010-04	42" HI DECK CHANNEL
31	BK107-01	BOW ARM PIN
32	AK016-01	RUBBER REST
33	BK106-03	LOCK PIN (SHORT)
34	BK106-02	LOCK PIN
35	BK100-01(2)	MOTOR PAD - HI DECK CHANNEL
36	DK012-02	CLUTCH BRACKET
37	XT103-02	COLUMN SUPPORT PIN
38	DK107-01	BOW ARM PIN
39	BK046-01 (2)	E RING
40	AK046-02	E CLIP