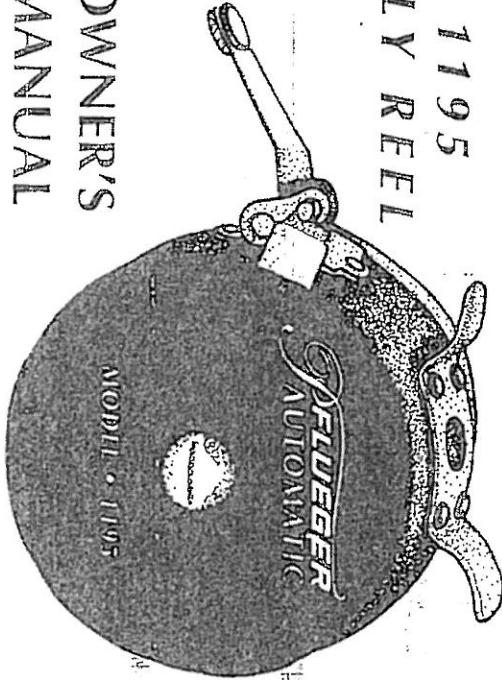


11" Old' Silver Spool - 3 pcs - No Parts Available

OWNER'S  
MANUAL

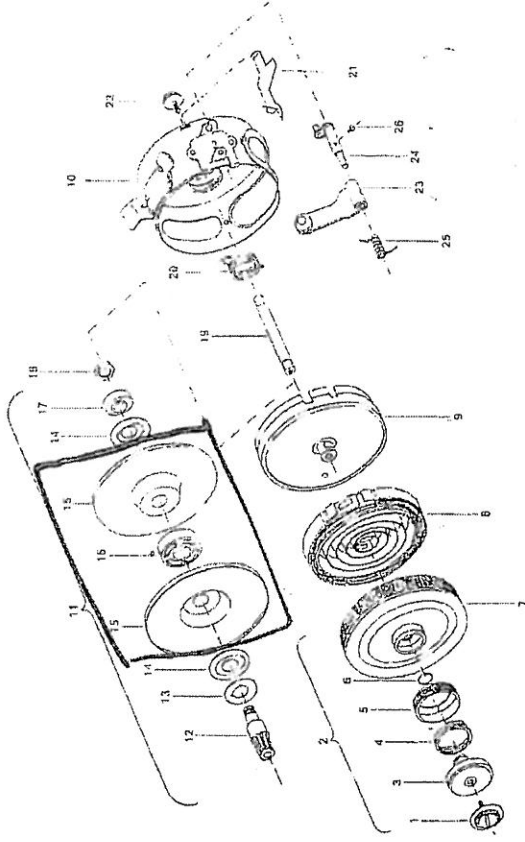


1195  
FLY REEL

PFLUEGER  
AUTOMATIC

Parts  
List  
11/7/74

PFLUEGER  
AUTOMATIC  
MIP FLY REEL



Key No.	Description	Key No.	Description
1	Staff Screw Assembly, Upper	14	Spool Friction Disc
2	Drive Spring Cap Assembly	15	Spool Flange
3	Ratchet Coil Case	16	Spool Spacer
4	Ratchet Coil	17	Brake Drum
5	Ratchet Release Ring	18	Spool Pinion Nut
6	Ratchet Coil Case Ring	19	Staff
7	Drive Spring Cap	20	Brake Coil
8	Drive Spring	21	Brake Lever Slide
9	Gear Plate Assembly	22	Staff Screw, Lower
10	Frame Assembly	23	Brake Lever Assembly
11	Spool Assembly	24	Brake Lever Shaft Assembly
12	Spool Pinion	25	Brake Lever Spring
13	Spool Pinion Washer	26	Brake Lever Shaft Screw

**MODEL 1195 REEL SPECIFICATIONS**

Spool Diameter	2-7/8"	Spool Width	7/8"	Weight	9.0 oz.	Fly Line	Up To #8	Backing	30 Yds./20#
----------------	--------	-------------	------	--------	---------	----------	----------	---------	-------------

Fly Line and Backing is based on using a Double Taper Floating Line

**Pflueger Limited Warranty**

Your new Pflueger product comes with a limited warranty for a period of one year against defects in material and/or workmanship. Pflueger will have no other obligation, and will not be liable for incidental or consequential damages.

Pflueger makes no implied warranty of MERCHANTABILITY OR FITNESS for any period beyond the duration of each limited warranty. This warranty does not cover damage caused by addition to or alteration of the product, accident, abuse or normal wear. Damage that is determined to be of this nature will be repaired at consumer's expense. This warranty does not extend to products which are put to commercial or rental use.

Some state laws do not allow exclusions of incidental or consequential damages or limitation of the duration of implied warranties, so the above exclusion and limitation might not apply to you. This warranty gives you specific rights which may vary from state to state.

For warranty service, send reels freight prepaid to the Shakespeare Service Center, 3801 Westmore Drive, Columbia, South Carolina 29223, along with a letter of explanation (include name and complete address), proof of purchase and \$5.00 for postage and handling.