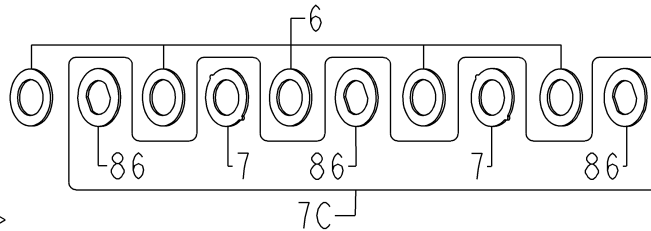
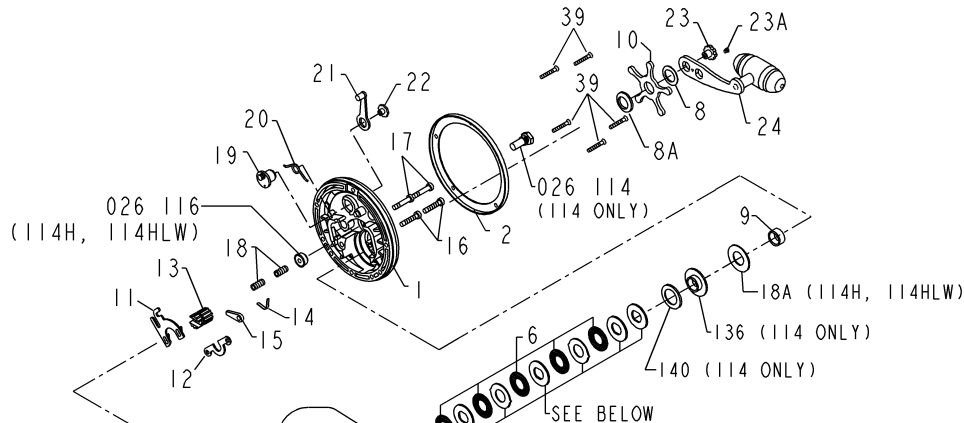
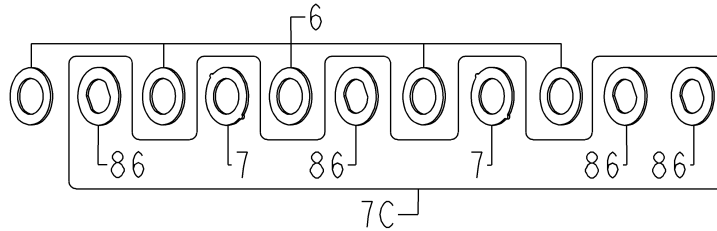




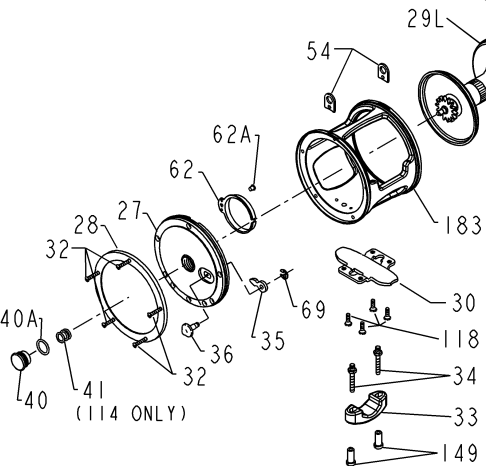
PARTS LIST FOR MODEL 114, 114H, 114HLW



DRAG WASHER ORIENTATION FOR 114H AND 114HLW
LARGE SCALE TO SHOW DETAIL



DRAG WASHER ORIENTATION FOR 114
LARGE SCALE TO SHOW DETAIL



KEY NO.	114 PART NO.	114H PART NO.	114HLW PART NO.	DESCRIPTION
1	001 114	001 114H	001 114H	Right Side Plate
2	002N114	002N114H	002N114H	Right Side Ring
3	003 114	003 114H	003 114H	Bridge Assembly
3A	003 114-1	003 114H-1	003 114H-1	Bridge Sub-Assembly
4	004 114	004 115	004 115	Fiber Washer
5	005 114	005 115	005 115	Main Gear
6	006 114	006 115	006 115	Fiber Drag Washer (5 req)
7	007 114	007 115	007 115	Metal Ear Washer (2 req)
7C	007C114	007C115	007C115	Metal Drag Washer Set
8	008 114	008 114	008 114	Tension Spring
8A	008 115	008 115	008 115	Tension Spring
9	009N114	009 114H	009 114H	Spacing Sleeve
10	010 114	010 114	010 114	Star Drag Wheel
11	011 114	011 114	011 114	Eccentric Jack
12	012 114	012 114	012 114	Pinion Yoke
13	013 114	013 114H	013 114H	Pinion
14	014 114	014 114	014 114	Dog Spring
15	015 114	015 114H	015 114H	Dog
16	016 114	016 114	016 114	Lower Bridge Screw (2 req)
17	017 114	017 114	017 114	Upper Bridge Screw (2 req)
18	018 114	018 114	018 114	Clutch (Yoke) Spring (2 req)
18A	N/A	018 114H	018 114H	Spring Disc
19	019 114	019 114	019 114	Eccentric
20	020 114	020 114	020 114	Eccentric Spring
21	021 114	021 114	021 114	Eccentric Lever
22	023 060	023 060	023 060	Eccentric Screw
23	023 116	023 116	023 116	Handle Screw
23A	110 060	110 060	110 060	Handle Lock Screw
24	024 057	024 057	024 057	Handle
26	026 114	026 116	026 116	R.S. Bearing
27	027 114	027N114H	027N114H	Left Side Plate
28	002N114	002N114	002N114	Left Side Ring
29L	029L114	029L114HL	029L114HLW	Spool
30	030 114HL	030 114HL	030 114HL	Stand
32	032 021	032 021	032 021	L.S. Screw (5 req)
33	033 340	033 340	033 340	Rod Clamp
*	*033R114	*033R114	*033R114	*Ringed Rod Clamp (Optional)
34	034 010KG	034 010KG	034 010KG	Rod Clamp Screw (2 req)
35	035 114	035 114	035 114	Click Tongue
36	036 114H	036 114H	036 114H	Click Button
39	039 012	039 012	039 012	R.S. Plate Screw (5 req)
40	040 114	040 114HL	040 114HL	Left Side Bearing
40A	N/A	120 114H	120 114H	Left Side Bearing O-Ring
41	041 114	N/A	N/A	Bearing Spring
54	054 114	054 114	054 114	Harness Lug (2 req)
62	062 114	062 114	062 114	Click Spring
62A	063 209	063 209	063 209	Click Spring Screw
69	069B600	069B600	069B600	Retaining Ring
86	086 114L (4)	086 115L (3)	086 115L (3)	Metal Keyed Washer
98	098 114	098 114	098 114	Gear Sleeve
102	102 114	102 114	102 114	Sleeve Pin
118	118 080	118 080	118 080	Stand Screws (4 req)
136	136 114	N/A	N/A	Pressure Plate Washer
140	140 114	N/A	N/A	Felt Washer
149	149 045	149 045	149 045	Rod Clamp Nut (2 req)
183	183 114T	183 114HT	183 114HLWT	Frame

*Not Shown