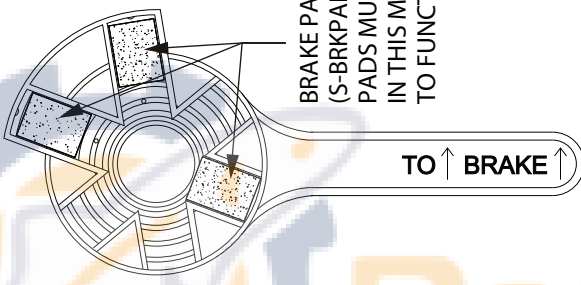




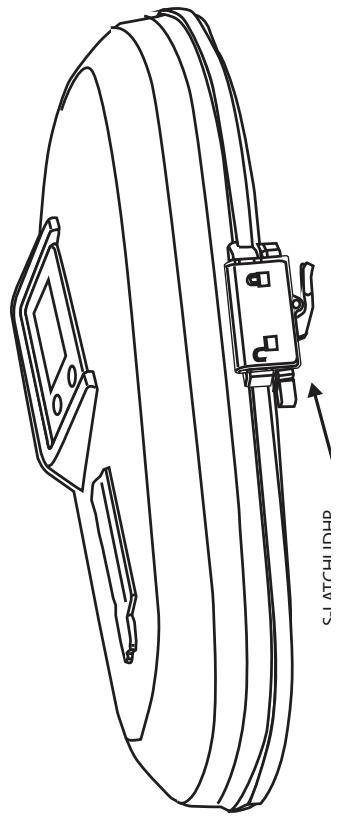
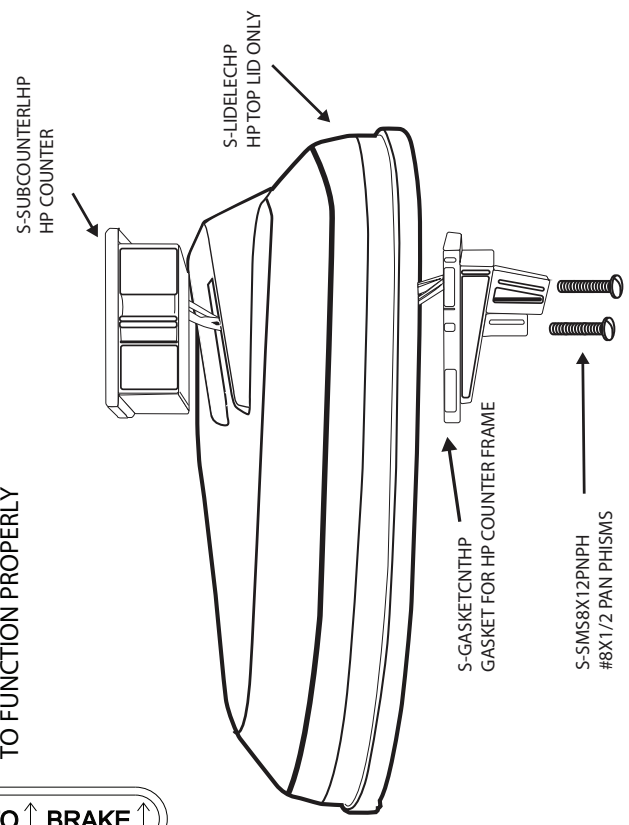
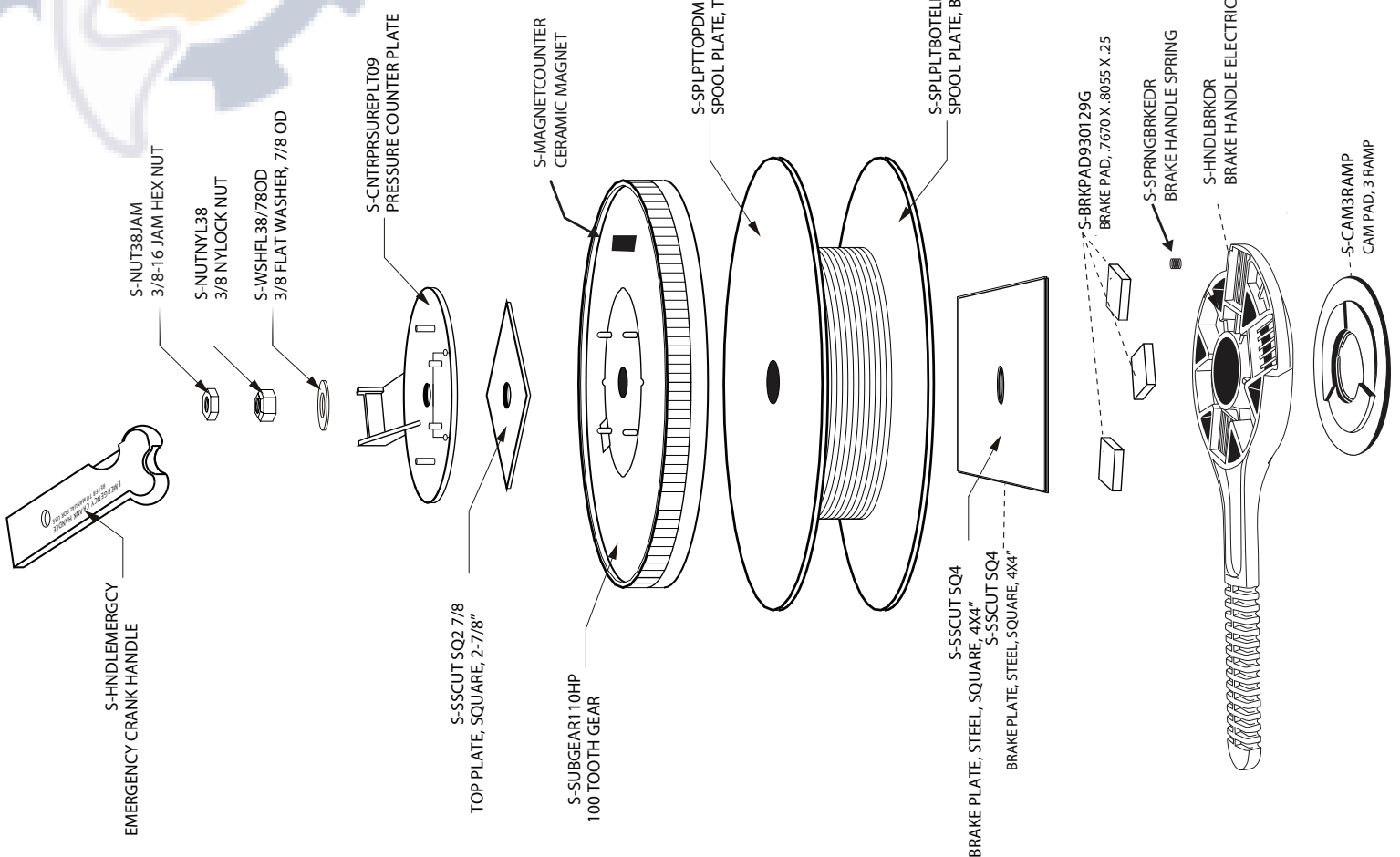
HP Downrigger Series
2101, 2106, 2116

DETAIL OF BRAKE HANDLE



BRAKE PAD PLACEMENT
(S-BRKPAD930129G)
PADS MUST BE ARRANGED
IN THIS MANNER FOR BRAKE
TO FUNCTION PROPERLY

TO BRAKE



S-ATTCH110UD

ReelSchematic



HP Downrigger Series 2101, 2106, 2116

