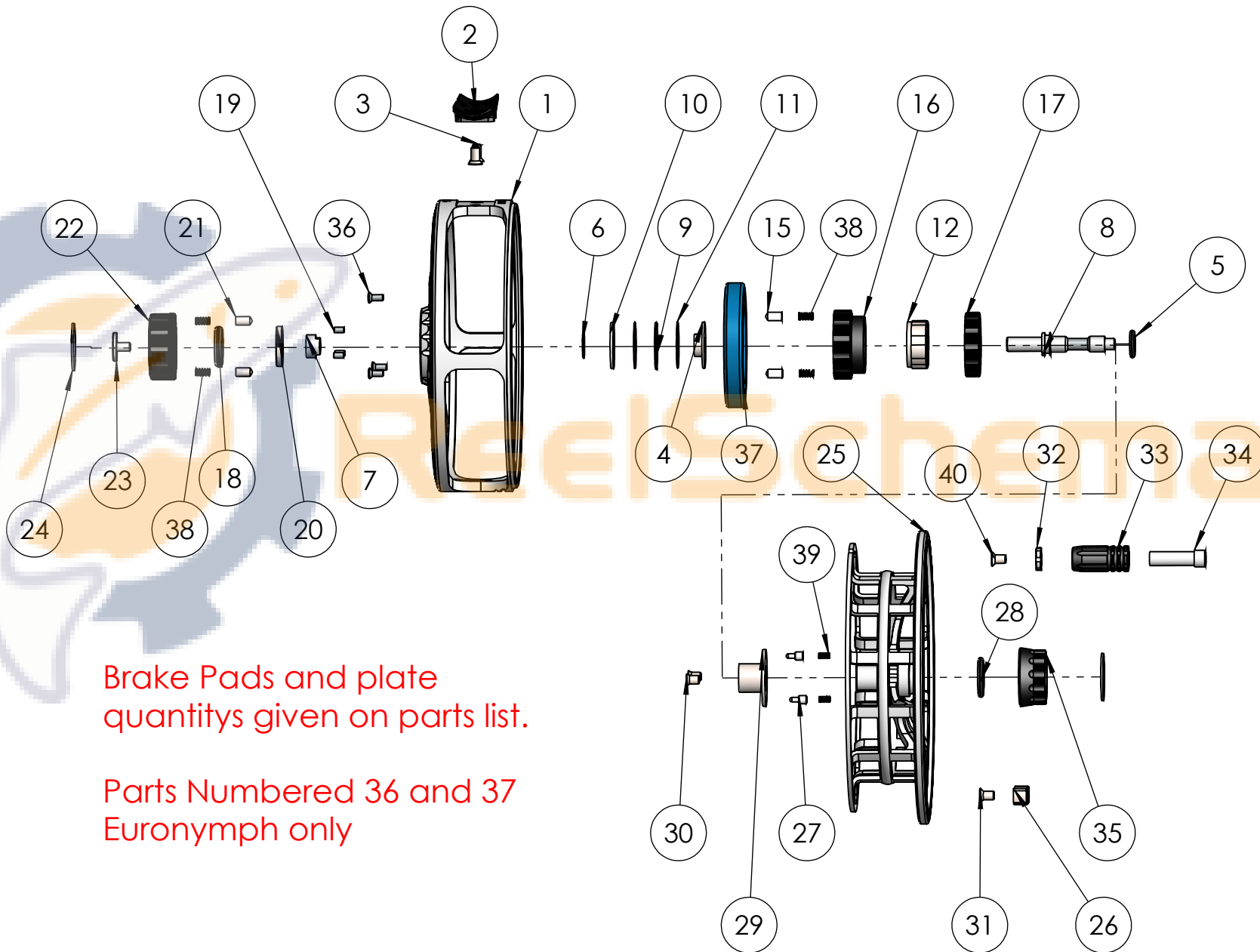


HARDY AVERON



Brake Pads and plate
quantities given on parts list.

Parts Numbered 36 and 37
Euronymph only

HARDY AVERON								
No.	Part Name	Q'TY	3000 1618154 TI 1618158 BLK	5000EU 1618153	5000 1618155 TI 1618159 BLK	7000 1618156 TI 1618160 BLK	9000 1618157 TI	
1	Frame	1	N/A					
2	Reel Back	1	1622645 BLK, 1622644 GM,					
3	Reel Back Screws	2	1524918					
4	Spindle Bush	1	1524920			1524943	1524951	
5	Spindle O Ring	1	1524922					
6	Spindle Washer	1	1524921					
7	Threaded Spindle Lock Nut	1	1622635					
8	Spindle	1	1524919			1524942	1524950	
9	External Keyed Washer	1	1524924 (QTY1)			1524924 (QTY2)	1524924 (QTY3)	
10	Internal Keyed Washer	1	1524925(QTY1)			1524925 (QTY2)	1524925 (QTY3)	
11	Rulon Pad	2	1524923 (QTY2)			1524923 (QTY4)	1524923 (QTY6)	
12	Clutch Bearing	1	1524928					1524953
13	N/A	1						
14	N/A	1						
15	Clutch Clicker	2	1524929					
16	Clutch Body	1	1622646 GM 1622648 GLD	1622650	1622646 GM 1622648 GLD	1622652 GM 1622653 GLD	1622655	
17	Clutch Cover	1	1622647 GM 1622649 GLD	1622651	1622647 GM 1622649 GLD	1622647 GM 1622649 GLD	1622657	
18	Regulator Button O Ring	1	1524934					
19	Push Pin	3	1524931					
20	Push Plate	1	1524933					
21	Regulator Button Clicker	2	1524936					
22	Regulator Button	1	1622654	1622457	1622654	1622654	1622658	
23	Stop Screw	1	1524938					
24	Badge	2	1524916 BLK 1329272GM					
25	Drum	1	N/A					
26	Counter Balance	1	1622633					1622634
27	Drum Clicker	2	1524913					
28	Drum Latch O Ring	1	1524911					
29	Drum Sleeve	1	1524912					1524954
30	Drum Sleeve Screw	2	1524915					
31	Counter Balance Screw	21	1524909					
32	Handle Cup	1	1609992 GM 1622638 GLD					1622655
33	Handle	1	1622631					1622632
34	Handle Wire	1	1622637 GM 1622639 GLD					1622656
35	Drum Latch Nut	1	1622643 BLK 1622644 GM					
36	Euro Balance Screw	3	1622458					
37	Balance wieght	1	N/A					
38	Clutch Body Clicker Spring	4	1524930					
39	Drum Clicker Spring	2	1524914					
40	Handle Screw	1	1524873					