

PARTS DIAGRAM & PARTS LIST



DOWNRIGGER FRAME & MOTOR PARTS LIST >

Assembly	Part #	Description	Notes	Qty.
M	3993220	ASSY, POWER CABLE, RETRO		1
N	3774050	PCB ASM w/DSPLY & MOUNT		1
P	3996515	MOTOR/GEAR HOUSING ASSY		1
Q	3772547	OPTIMUM BLACK FRAME KIT		1
R	3772548	OPTIMUM WHITE FRAME KIT	◆ *TS*	1
T	3778800	DESICCANT BAG/ZIP TIE/ SCREW KIT		1
Item	Part #	Description	Notes	Qty.
2	✘	FRAME, WHT, DT BT MACH	◆ *TS*	1
	✘	FRAME, BLK, DT BT MACH		1
4	3393130	NUT-HEX 1/4-20 SS RIE COATED		1
6	3394722	INSERT, PUSH ON		1
8	3394702	INSERT, BASE, MAGNI 565		1
10	2373450	SCREW-#8-18 X 3/8" THRD.CUT SS		2
12 ▲	✘	LENS, GLASS DT BT	*See Q or R*	1
14 ▲	✘	ADHESIVE-LENS,D-TROLL BT	*See Q or R*	1
16	✘	KEYPAD, DIGI-TROLL BT	*See Q or R*	1
18	3393220	CABLE-RIBBON, KEYPAD,CNN		1
20	3396604	SEAL PLATE, DIGI-TROLL BT		1
22	700176	CON XCAP MINI-CON PANEL MOUNT		1
24	3391730	WASHER, SEAL, DATA		1
26	3391221	HARNESS, TRANSDUCER		1
28	3398205	CIRCUIT BREAKER, 25 AMP		1
30	1221491	BOOT CIRCUIT BREAKER		1
32	3392920	STRAIN-RELIEF, HEYCO M4502		1
34	3391730	WASHER, SEAL, DATA		1
36	3393411	SCREW-FLANGE HEX HI-LO		4
38 ▲	3394050	NRCN-PCB ASM, CTRL/DSPY BOARD		1
40 ▲	3391946	NRCN-MOUNT-DSPY, DIGI-TROLL BT		1
42 ▲	3397720	ADHESIVE-DISPLAY,DIGI-TROLL BT		1
44	3393486	SCREW-#10-16 X .25" BT		1
46	3390204	COVER, MOTOR TS	◆ *TS*	1
	3390203	COVER, MOTOR		1
48	3393130	NUT-HEX 1/4-20 SS RIE COATED		1
50	3394722	INSERT, PUSH ON		1
52	401966-3	MIC VENT,PTFE LU LRA MATERIAL		1
54	3396902	GASKET, COVER		1
56	3391732	WASHER, SEALING		11

▲ Not shown on Parts Diagram.

✘ This part is included in an assembly and cannot be ordered individually.

◆ Only one assembly is available with the tournament Cannon Optimum TS.

◆ Only available with the Optimum TS series downrigger.

PARTS DIAGRAM & PARTS LIST

Item	Part #	Description	Notes	Qty.
58	3394602	WASHER-FLAT #8 SS		11
60	3393480	SCREW-#10 X 1.0" PPH HI-LO SS		11
62	3395634	DECAL- SIDE, BLACK	*CANNON DECAL*	2
64	3395711	DECAL-PIC, TS	◆ *TS* *PIC DECAL*	1
	3395710	DECAL-PIC BLACK	*PIC DECAL*	1
66	3393200	CABLE-POWER, BATTERY		1
68	3393201	CAP ASSY, POWER CABLE, BATTERY		1
70	3393222	CABLE-POWER, MOTOR, RETRO		1
72	3393210	CAP ASSY, POWER CABLE, MOTOR		1
74	3393113	NUT, HEX, NYLON, 5/8"		1
76 ▲	3395091	CTN-LABELED, DT 10 BT		1
78 ▲	3395092	CTN-LABELED, DT TS 10 BT		1
80 ▲	3397137	MANUAL, DIGITROLL 10 BT		1
82 ▲	3397138	INSTRCT, INSTALL, OPTIMUM		1
84 ▲	3397139	MANUAL DISCLAIMER DWNLOAD INFO		1
86 ▲	3397150	QUICK REF. GUIDE, OPTIMUM		1
88 ▲	3395800	DECAL, WARNING, POWER CABLE		1
90	✘	LENS w/ADH, GLASS DT BT	*See Q or R*	1
92	3396301	WIRE TIE W/MOUNTING SCREW HOLE		1
94	3398800	DESICCANT		2
96	3393471	SCREW-#6-19 X 3/8 TORX ZP		1

▲ Not shown on Parts Diagram.

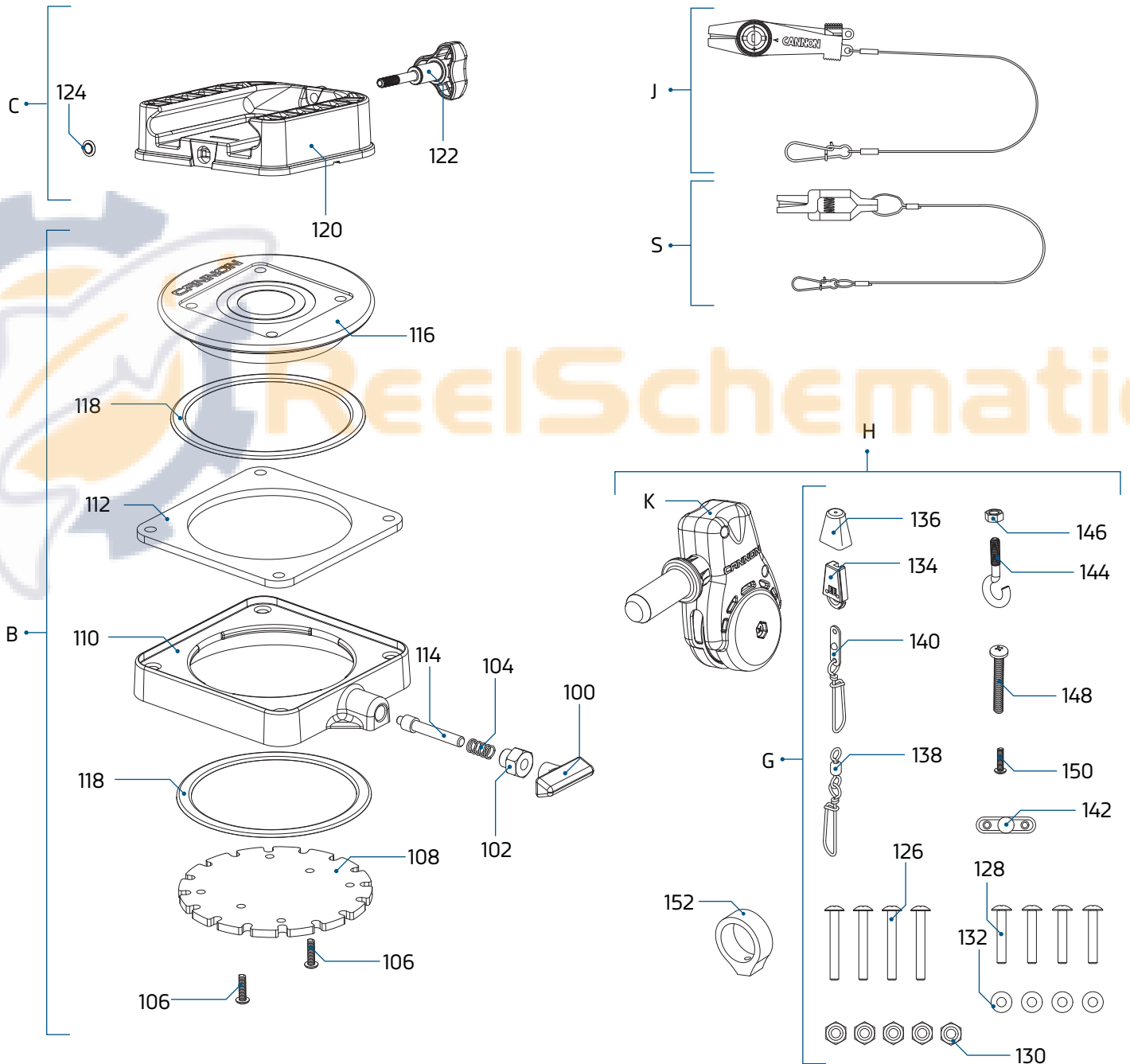
✘ This part is included in an assembly and cannot be ordered individually.

✚ Only one assembly is available with the tournament Cannon Optimum TS.

◆ Only available with the Optimum TS series downrigger.

PARTS DIAGRAM & PARTS LIST

BASE & INSTALLATION HARDWARE PARTS DIAGRAM >



PARTS DIAGRAM & PARTS LIST

BASE & INSTALLATION HARDWARE PARTS LIST >

Assembly	Part #	Description	Notes	Qty.
B	3991913	CNN ASSY, SWIVEL BASE		1
C	3991930	ASSY-CNN, MNT BASE DT/MAG		1
G	3994807	ASSY-BAG, DT PRO/MAG ST		1
K	3990200	ASSY-CNN, BOOM END		1
H	3994815	BAG ASSY, BOOM END		1
J	2277002	ASY HDW RELEASE UNIVERSAL		2
S	2200109	SALTWATER RELEASE, OR8 BE	◆ *TS*	2
Item	Part #	Description	Notes	Qty.
100	2249001	HDW KNB RELEASE PIN		1
102	2277001	HDW RETAINER RELEASE NUT		1
104	2287002	HDW SPRING RELEASE PIN		1
106	2372100	SCREW-#8-18 X 5/8 THD* (SS)		2
108	3391999	PLATE-INDEX, SWIVEL BASE		1
110	3391923	BASE, SWIVEL MOLDED		1
112	3391958	PLATE, SUPPORT TOP		1
114	3392600	PIN - RELEASE		1
116	3396430	TOP, SWIVEL MOLDED		1
118	9010004	HDW BEARING SWIVEL BASE		2
120	3391955	BASE-MOUNT, MAG ST		1
122	3390101	KNOB-CANNON, SOFT GRIP		1
124	3393000	RING, RETAINING, 1/4" SHAFT		1
126	9280720	HDW SCR 1/4 20X2 TRUSS HD PHIL		4
128	9280713	HDW SCR 1/4 20X1 1/2 TRUSS HEA		4
130	2263103	NUT-1/4-20 NYLOCK SS		5
132	2371712	WASHER-FLAT 9/32 X 5/8 X 1/16		4
134	9100100	CON TERMINATOR		1
136	9100101	CUSHION SLEEVE TERMINATOR		1
138	9100620	HDW SNAP SWIVEL 4/0-37 MARLIN		1
140	2200148	ASY SNAP & INSULATOR		1
142	✘	CON CABLE INSULATOR		1
144	9040040	HDW BOLT 1/4-20 ROLLEDTHD HOOK		1
146	2263102	NUT-HEX 1/4-20 SS 300SRS		1
148	3393461	SCREW-1/4-20 x 2" SS, PPH		1
150	2372100	SCREW-#8-18 X 5/8 THD* (SS)		1
152	3397900	BALL HOOK EXTRUSION		1

▲ Not shown on Parts Diagram.

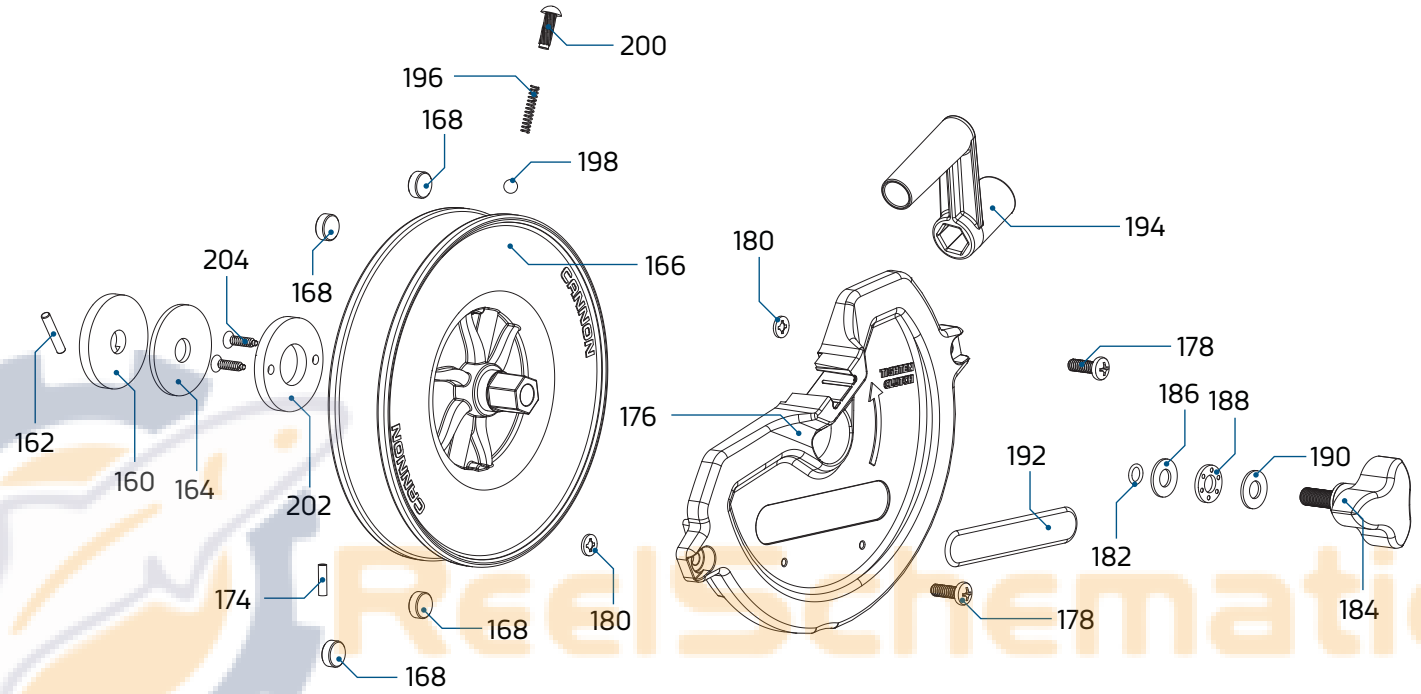
✘ This part is included in an assembly and cannot be ordered individually.

✚ Only one assembly is available with the tournament Cannon Optimum TS.

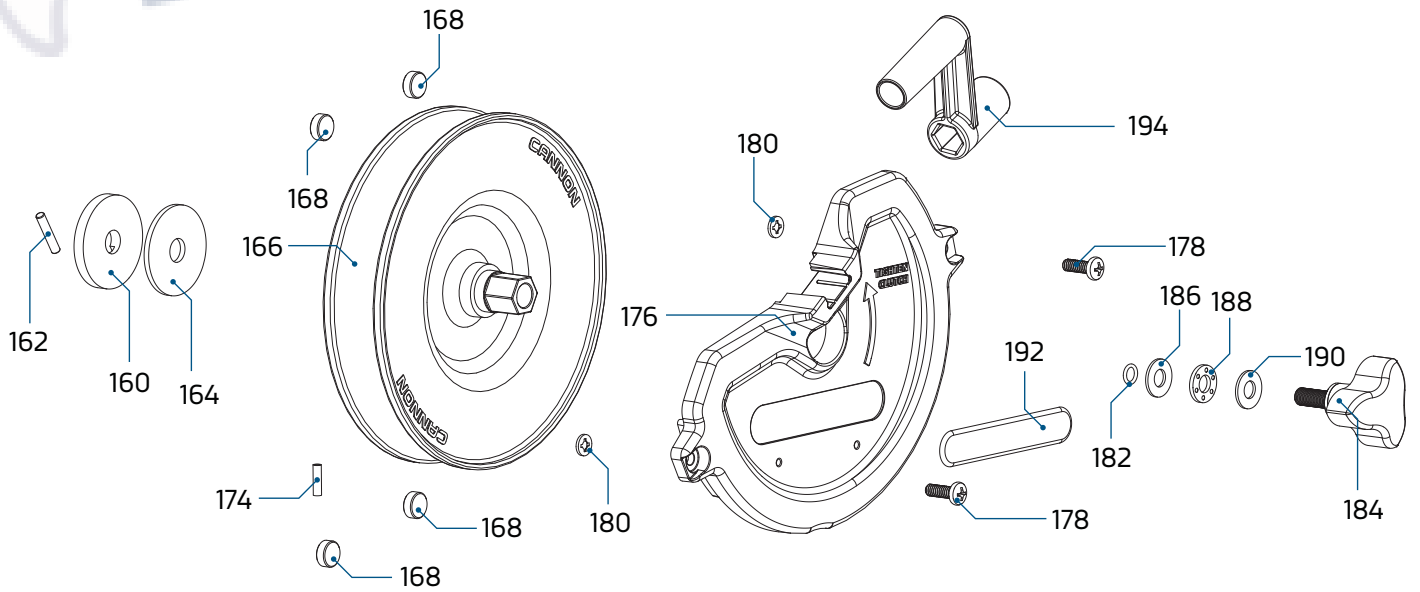
◆ Only available with the Optimum TS series downrigger.

PARTS DIAGRAM & PARTS LIST

SPOOL & COVER PARTS DIAGRAM >



OPTIMUM



OPTIMUM TS

PARTS DIAGRAM & PARTS LIST

SPOOL & COVER PARTS LIST >

Item	Part #	Description	Notes	Qty.
160	3391907	PLATE, CLUTCH SHAFT		1
162	3392640	PIN, DRIVESHAFT		1
164	3391711	PAD, CLUTCH, LO-PRO		1
166	3397908	REEL, ROUGH 3.75" OD SS	◆ *TS*	1
	3397907	REEL, ROUGH, 3.75" OD		1
168	1459666	CERAMIC MAGNET P/N 42-B-5020		4
170 ▲	3775397	400' CABLE		1
172 ▲	3396300	RUBBER BAND 7" #117-B		1
174	9100070	CON LEADER SLEEVE		1
176	3390206	COVER, REEL TS	◆ *TS*	1
	3390205	COVER, REEL		1
178	2373434	SCREW-1/4-20 X 3/4 SS PPMS		2
180	2071718	WASHER #10 NYLON RETAINING		2
182	3394605	O-RING, KNOB		1
184	3390103	KNOB, SOFT GRIP, CLUTCH		1
186	3391737	HDW WASHER, THRUST, 17-7 SS		1
188	9010280	HDW BEARING, THRUST		1
190	3391737	HDW WASHER, THRUST, 17-7 SS		1
192	3395634	DECAL- SIDE, BLACK	*CANNON DECAL*	2
194	3390910	HANDLE-CRANK, MANUAL		1
196	3392707	SPRING, REEL	◆ *TS*	1
198	3396020	BALL BEARING, REEL	◆ *TS*	1
200	3393474	SCREW-DRIVE #14 X .75" SS	◆ *TS*	1
202	3391906	PLATE, CLUTCH REEL	◆ *TS*	1
204	3393418	SCREW-#10-16X.75" HI-LO SS	◆ *TS*	2

▲ Not shown on Parts Diagram.

✳ This part is included in an assembly and cannot be ordered individually.

✚ Only one assembly is available with the tournament Cannon Optimum TS.

◆ Only available with the Optimum TS series downrigger.

PARTS DIAGRAM & PARTS LIST

TELESCOPIC BOOM & BOOM END PARTS LIST >

Assembly	Part #	Description	Notes	Qty.
D	3392010	ASSY, BOOM TELESCOPIC, SS	◆ *TS*	1
E	2210821	ASY BOOM TELESCOPIC		1
K	3990200	ASSY-CNN, BOOM END		1
Item	Part #	Description	Notes	Qty.
220	3392001	TUBE, BOOM, BASE, SS	◆ *TS*	1
	2290828	24" BOOM - HEAVY DUTY		1
222	3392002	TUBE, BOOM, MID, SS	◆ *TS*	1
	2290829	ASY TUBE BOOM INTER BLK		1
224	3392003	TUBE, BOOM, END, SS	◆ *TS*	1
	2290830	ASY TUBE BOOM END BLK		1
226	3393301	COLLET - MID TUBE		1
228	3393300	COLLET - BASE TUBE		1
230	2219822	HDW CLAMP BASE TUBE NEW		1
232	2219823	HDW CLAMP INTER TUBE NEW		1
234 ▲	609003	HDW CBL TIE 3 1/2 IN		1
236	3397900	BALL HOOK EXTRUSION		1
238	3392520	CASE, PULLEY		2
240	3392300	SHEEVE, PULLEY		1
242	3391507	SHIM, BOOM END		2
244	3392013	BOOM END, NEW		1
246	3393485	SCREW-#10-24X1.75 PPHMS S		1
248	3393124	NUT-#10-32 NYLOK 18-8 SS RIE		1
250	2303412	SCREW-#6-20 X 5/8 SELF TAP		4
252	3390005	BEARING-NYLINER, #8L5-1/2-F		2
254	9100100	CON TERMINATOR		1
256	9100101	CUSHION SLEEVE TERMINATOR		1
258	9100620	HDW SNAP SWIVEL 4/0-37 MARLIN		1
260	2200148	ASY SNAP & INSULATOR		1
262	9040040	HDW BOLT 1/4-20 ROLLEDTHD HOOK		1
264	2263102	NUT-HEX 1/4-20 SS 300SRS		1
266	3393461	SCREW-1/4-20 x 2" SS, PPH		1
268	2372100	SCREW-#8-18 X 5/8 THD* (SS)		1

▲ Not shown on Parts Diagram.

* This part is included in an assembly and cannot be ordered individually.

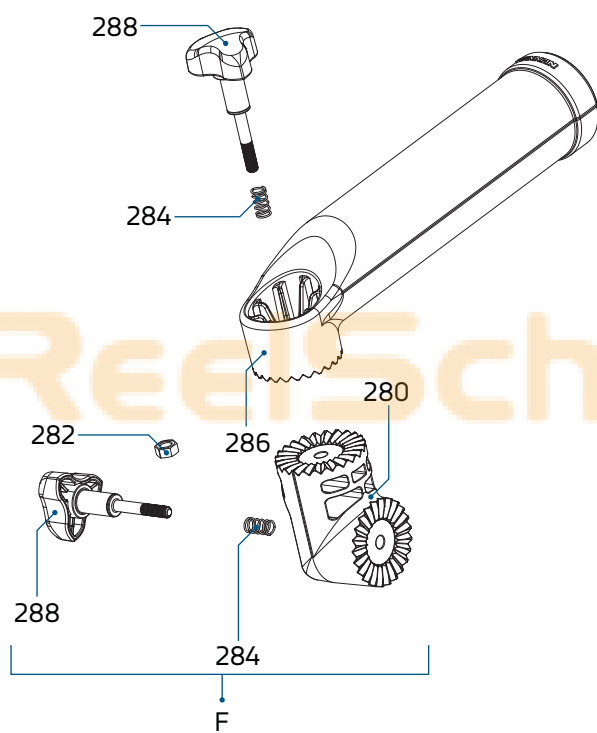
⊕ Only one assembly is available with the tournament Cannon Optimum TS.

◆ Only available with the Optimum TS series downrigger.

PARTS DIAGRAM & PARTS LIST



REAR MOUNT ROD HOLDER PARTS DIAGRAM >



Reel Schematic

PARTS DIAGRAM & PARTS LIST

REAR MOUNT ROD HOLDER PARTS LIST >

Assembly	Part #	Description	Notes	Qty.
F	3991904	ASSY-CNN, ROD HOLDER	+	1/2
Item	Part #	Description	Notes	Qty.
280	3394200	ARM, DUAL AXIS-ROD HLDR		1
282	✘	NUT-HEX 1/4-20 SS RIE COATED		1
284	2287002	HDW SPRING RELEASE PIN		2
286	3392033	TUBE, DUAL AXIS RD HLDR		1
288	3390101	KNOB-CANNON, SOFT GRIP		2



ReelSchematic

▲ Not shown on Parts Diagram.

✘ This part is included in an assembly and cannot be ordered individually.

+ Only one assembly is available with the tournament Cannon Optimum TS.

◆ Only available with the Optimum TS series downrigger.