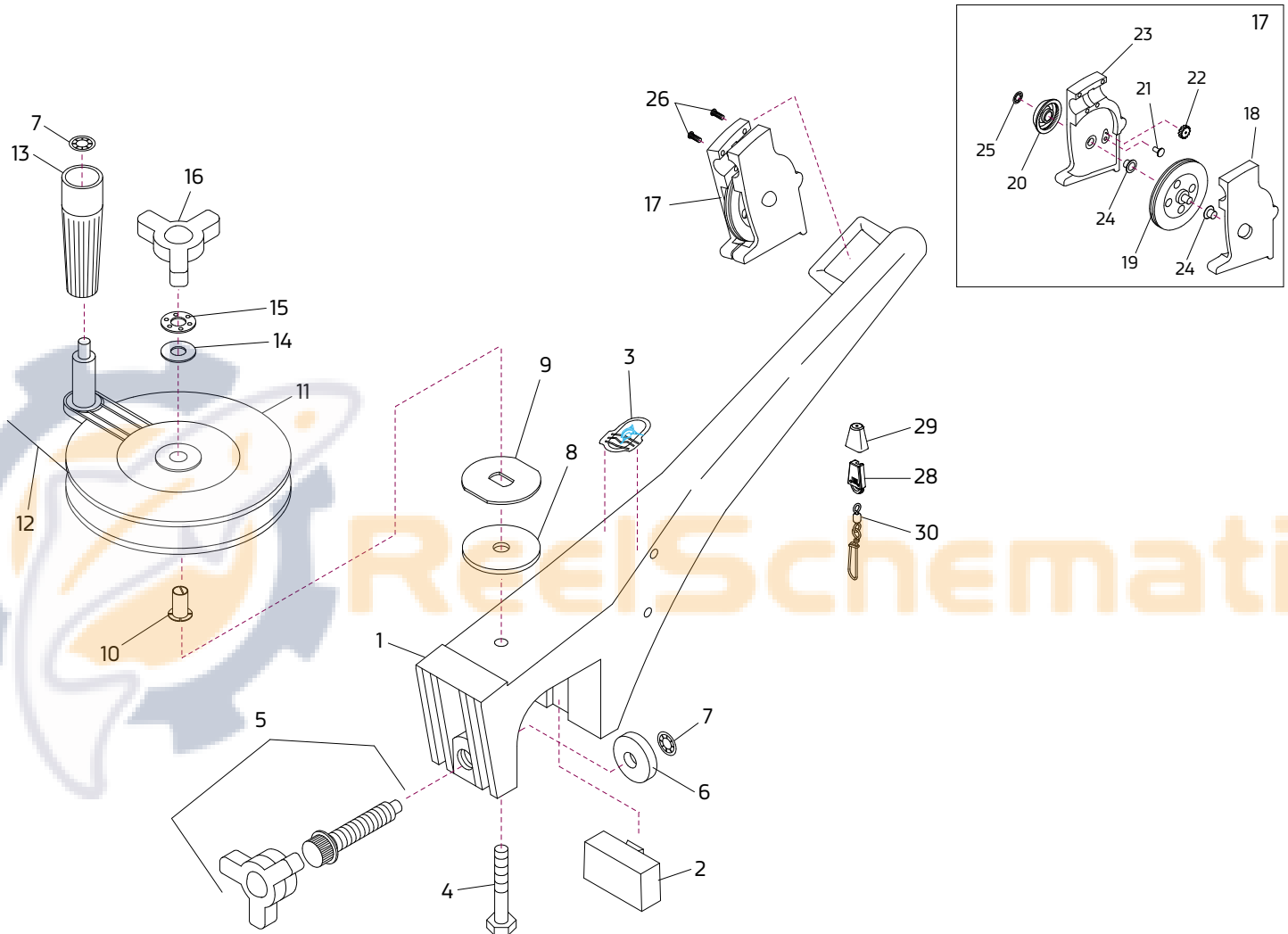


PARTS DIAGRAM & LIST

MINI-TROLL MANUAL DOWNRIGGER

This page provides Cannon® WEEE compliance disassembly instructions. For more information about where you should dispose of your waste equipment for recycling and recovery and/or your European Union member state requirements, please contact your dealer or distributor from which your product was purchased.

Tools required, but not limited to: flat head screw driver, Phillips screw driver, socket set, pliers, wire cutters.



ITEM	QTY	PART NUMBER	DESCRIPTION
1	1	3770001	ASY FRAME MAIN MINI TROLL
2	1	3391500	HDW SPACER, MINI TROLL, MACH
3	1	0327001	DEC EMBLEM NOSE MT
4	1	9040380	HDW BOLT 3/8-24 X 2 HEX HEAD
5	1	3778902	CNN ASY, CLAMP SCREW
6	1	9100010	PAD CLAMP PAR CLAMP
7	1	9100690	HDW RING PUSH CLAMP PAD
8	1	3391710	ASY CLUTCH PAD SM HOLE
9	1	3391991	ASY HDW CLTCH PLATE M-TRL
10	1	9010512	HDW BEARING NYLINER 611-F
11	1	0387001	SPOOL CENTER MINI TROLL
12	1	3775392	150' CABLE
13	1	0240591	HDW HANDLE CRANK SERRATED
14	1	3391737	HDW WASHER, THRUST, 410 SS
15	1	9010280	HDW BEARING, THRUST

ITEM	QTY	PART NUMBER	DESCRIPTION
16	1	3779002	ASY KNOB SPOOL ADJUST
17	1	3774001	ASY HEAD SW W/COUNTER (INCLUDES 18-24)
18*	1	0267001	PLATE SIDE (RIGHT)
19*	1	0269726	HDW PULLY WHEEL SWIVEL HD
20*	1	0325002	ASY METER COUNTER (PRINTED)
21*	1	0333001	GEAR INTERMEDIATE
22*	1	0333002	GEAR REDUCTION
23*	1	0367004	ASY SMS PLATE SIDE LT W/C
24*	1	9010070	HDW BEARING BRASS
25	1	9100690	HDW RING PUSH CLAMP PAD
26	2	9370010	HDW SCR #4X1/2 PAN HD PHIL
28	1	9100100	CON TERMINATOR
29	1	9100101	CUSHION SLEEVE TERMINATOR
30	1	9100620	HDW SNAP SWIVEL