

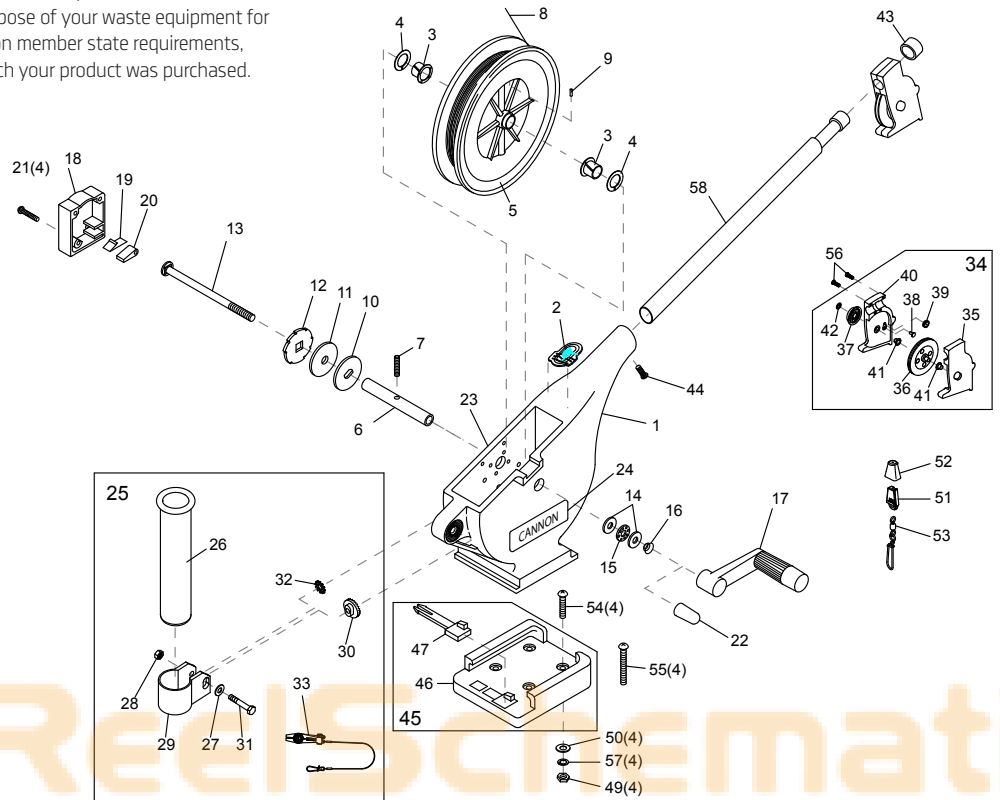
PARTS DIAGRAM

LAKE-TROLL MANUAL DOWNRIGGER

This page provides Cannon® WEEE compliance disassembly instructions. For more information about where you should dispose of your waste equipment for recycling and recovery and/or your European Union member state requirements, please contact your dealer or distributor from which your product was purchased.

Tools required, but not limited to:

- flat head screw driver
- Phillips screw driver
- socket set
- pliers
- wire cutters.



ITEM	QTY	PART NUMBER	DESCRIPTION
1	1	3330001	FRAME - LAKE-TROLL (LEXAN)
2	1	3395617	DECAL - NOSE, LAKE-TROLL
3	2	9010001	BEARING - REEL SHAFT
4	2	9430210	WASHER - 7/8" NYLON ROUND
5	1	3397917	REEL - ROUGH 3.75" (LEXAN)
6	1	1080001	SHAFT - REEL
7	1	3393412	SCREW - SET 5/16" -18 X 1" (REEL)
8	1	3775392	SPOOL CABLE SS [150.FT]
9	1	9100070	CABLE LEADER SLEEVE
10	1	0467695	BRAKE PLATE - REEL
11	1	3391710	CLUTCH PAD
12	1	0467694	BRAKE PLATE - RATCHET
13	1	1000904	SHAFT - RATCHET
14	2	3391737	WASHER - THRUST
15	1	9010280	BEARING - THRUST
16	1	9400040	SPRING - HAND CRANK
17	1	0422002	CRANK HANDLE, LAKE-TROLL
18	1	1021480	CLUTCH COVER
19	1	9400070	SPRING - DOG RATCHET
20	1	9100160	DOG - RATCHET
21	4	9370220	SCREW - #10 X 1-1/4" FH TYPE A
22	1	9100721	RED THREAD CAP
23	1	3395631	DECAL - CANNON SMALL (BLACK)
24	1	3395630	DECAL - CANNON LARGE (BLACK)
25	1	2477001	BAG ASSY - SINGLE ROD HOLDER KIT
*26	1	0290796	>TUBE - ROD HOLDER
*27	1	2151726	>WASHER - 5/16" FLAT
*28	1	2383106	>NUT - 5/16"-18 SS
*29	1	3319005	>CLAMP - ROD HOLDER W/ SLOT

ITEM	QTY	PART NUMBER	DESCRIPTION
*30	1	3325002	>DISK - ROD HOLDER
*31	1	9040310	>BOLT - HEX 5/16" -18 X 2"
*32	1	9430160	>WASHER - STAR 5/16"
*33	1	2277002	>UNIVERSAL LINE RELEASE
34	1	3774001	SWIVEL HEAD ASSEMBLY W/ COUNTER
*35	1	0267001	SIDE PLATE (RH)
*36	1	0269726	PULLY - SWIVEL HEAD
*37	1	0325002	COUNTER - SWIVEL HEAD
*38	1	0333001	GEAR - INTERMEDIATE, SWIVEL HEAD
*39	1	0333002	GEAR - REDUCTION, SWIVEL HEAD
*40	1	0367004	SIDE PLATE (LH), W/ COUNTER
*41	2	9010070	HDW BEARING BRASS
*42	1	9100690	CLAMP - RING, PUSH ON
43	1	3316001	CAP - BOOM END
44	1	9370002	SCREW - #8-32 SELF TAPPING
45	1	3778901	TAB LOCK MOUNTING BASE
*46	1	-	BASE - TAB LOCK, NO TAB (LEXAN)
*47	1	3391001	LOCKING TAB
48	1	2994894	*BAG ASSEMBLY, MOUNTING (KIT #4)
49	4	2263102	NUT - HEX 1/4" -20
50	4	2371712	WASHER - 9/32" FLAT
51	1	9100100	TERMINATOR
52	1	9100101	TERMINATOR CUSHION
53	1	9100620	TERMINATOR SNAP & SWIVEL
54	4	9280713	BOLT - TRUSS 1/4" - 20 X 1-1/2"
55	4	9280725	BOLT - TRUSS 1/4" - 20 X 2-1/2"
56	3	9370010	SCREW - #4 X 1/2" PPH
57	4	9950357	WASHER - LOCK 1/4" SPLIT
58	1	3310008	16" BOOM - COPOLYMER

* THIS ITEM IS PART OF A KIT AND ONLY LISTED FOR VIEWING PURPOSES.