

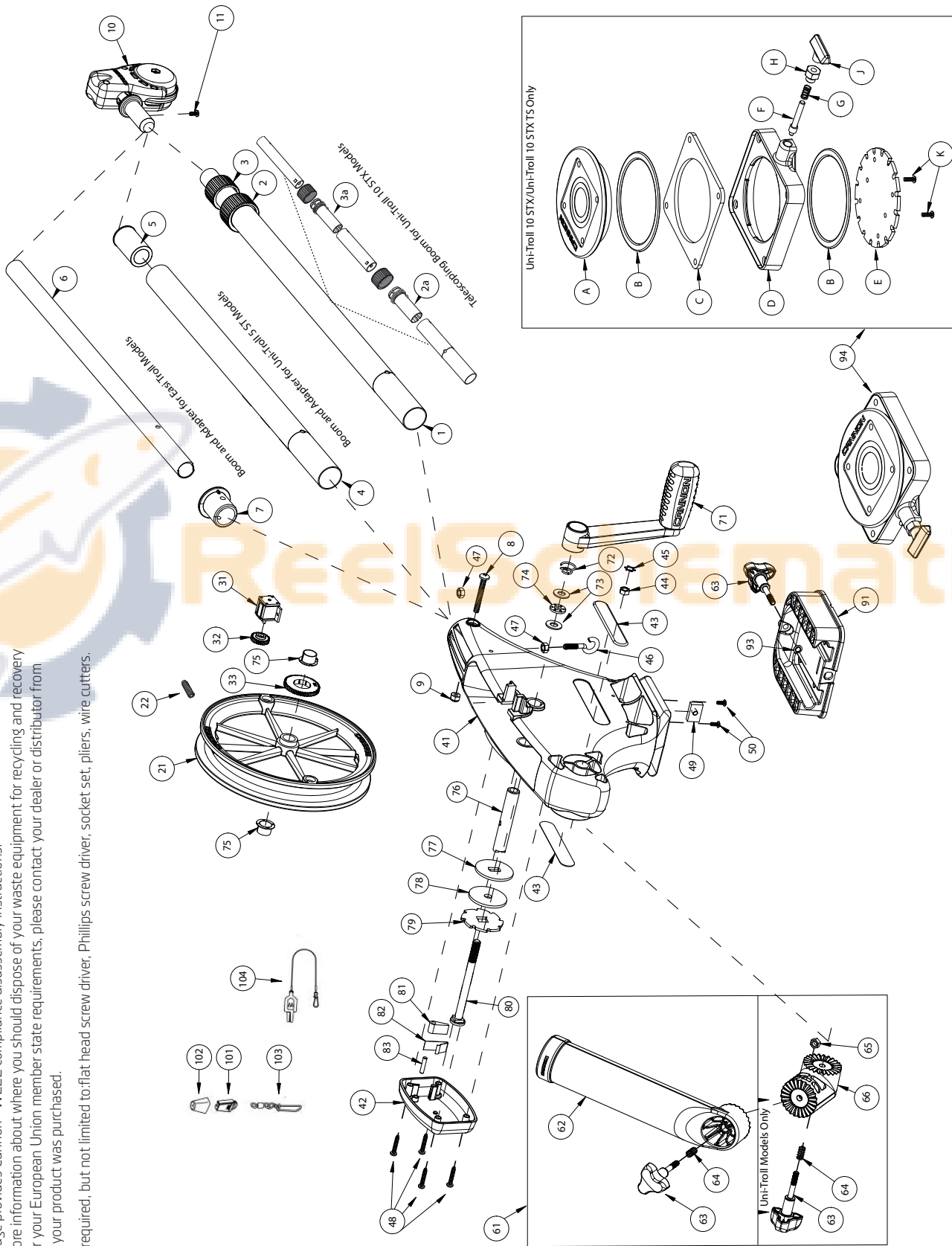
PARTS DIAGRAM

EASI-TROLL ST, EASI-TROLL ST/E UNI-TROLL 5 ST, UNI-TROLL 5 ST/E, UNI-TROLL 10 STX, UNI-TROLL 10 STX/E, UNI-TROLL 10 STX-TS, UNI-TROLL 10 STX-TS/E

This page provides Cannon® WEEE compliance disassembly instructions.

For more information about where you should dispose of your waste equipment for recycling and recovery and/or your European Union member state requirements, please contact your dealer or distributor from which your product was purchased.

Tools required, but not limited to: flat head screw driver, Phillips screw driver, socket set, pliers, wire cutters.



PARTS LIST

ITEM	PART NUMBER	DESCRIPTION	MODEL
BOOM ASSEMBLIES & RELATED PARTS			
1	2210821	TELESCOPING BOOM ASSEMBLY, BLACK	UNI-TROLL 10 STX
	3392010	TELESCOPING BOOM ASSEMBLY, SS	UNI-TROLL 10 STX-TS
2	2219822	CLAMP - BASE TUBE	UNI-TROLL 10 STX UNI-TROLL 10 STX-TS
3	2219823	CLAMP - INTERMEDIATE TUBE	UNI-TROLL 10 STX UNI-TROLL 10 STX-TS
2A	3393300	COLLET - BASE TUBE	UNI-TROLL 10 STX UNI-TROLL 10 STX-TS
3A	3393301	COLLET - MID TUBE	UNI-TROLL 10 STX UNI-TROLL 10 STX-TS
4	2290828	HEAVY DUTY 24" BOOM, BLACK	UNI-TROLL 5 ST
5	3395905	ADAPTER, BOOM END	UNI-TROLL 5 ST
6	3392017	24" BOOM, BLACK	EASI-TROLL ST
7	3395906	ADAPTER, BOOM	EASI-TROLL ST
8	3393461	SCREW-1/4-20 X 2" SS, PPH	ALL MODELS
9	2263103	NUT 1/4-20, NYLOCK, SS	ALL MODELS
10	3990200	BOOM END ASSEMBLY	ALL MODELS
11	2373450	SCREW-#8-18 X 3/8" THRD CUT SS	ALL MODELS
CABLE SPOOLS			
21	3397930	REEL, SS, 24" RETRIEVE	UNI-TROLL 10 STX-TS
	3397931	REEL, PLASTIC, 24" RETRIEVE	UNI-TROLL 10 STX, UNI-TROLL 5 ST
	3397904	REEL, PLASTIC, 18" RETRIEVE	EASI-TROLL ST
22	3393412	SCREW SET 5/16-18X1 HDP RIE	ALL MODELS
COUNTERS & GEARS			
31	0220477	3 DIGIT COUNTER	ALL SAE (COUNT IN FEET)
	3320011	METRIC 3 DIGIT COUNTER	ALL METRIC (COUNT IN METERS)
32	3392223	COUNTER GEAR, 28 TOOTH	SAE UNI-TROLL MODELS (ALL)
	3392229	COUNTER GEAR, 12 TOOTH	METRIC UNI-TROLL MODELS (ALL)
	3333003	COUNTER GEAR, UT HP	SAE EASI-TROLL ST
	3392227	COUNTER GEAR, 15 TOOTH	METRIC EASI-TROLL ST
33	3392222	REEL GEAR, 56 TOOTH	SAE UNI-TROLL MODELS (ALL)
	3392228	REEL GEAR, 72 TOOTH	METRIC UNI-TROLL MODELS (ALL)
	3333004	REEL GEAR, UT HP	SAE EASI-TROLL ST
	3392226	REEL GEAR, 69 TOOTH	METRIC EASI-TROLL ST
DOWNRIGGER FRAME & DECALS			
41	3392540	FRAME, BLACK	ALL BLACK MODELS
	3392541	FRAME, WHITE	UNI-TROLL 10 STX-TS
42	3396420	CLUTCH COVER, BLACK	ALL BLACK MODELS
	3396421	CLUTCH COVER, WHITE	UNI-TROLL 10 STX-TS
43	3395634	DECAL, SIDE, BLACK	ALL MODELS
44	3393130	NUT-HEX 1/4-20 SS, RIE COATED	ALL MODELS
45	3394722	INSERT, PUSH ON	ALL MODELS
46	9040040	HDW BOLT, 1/4-20, ROLLED THD HOOK	ALL UNI-TROLL MODELS
47	3393130	NUT-HEX, 1/4-20 SS 300RS	ALL UNI-TROLL MODELS
48	3393480	SCREW-#10X1" PPH HI-LO SS	ALL MODELS
49	3394702	INSERT, BASE, LO-PRO	ALL MODELS
50	2373450	SCREW-#8-18 X 3/8" THRD CUT SS	ALL MODELS

ITEM	PART NUMBER	DESCRIPTION	MODEL
ROD HOLDER			
61	3991904	DUAL ACCESS ROD HOLDER ASSEMBLY	ALL UNI-TROLL MODELS
	3991906	SINGLE ACCESS ROD HOLDER ASSEMBLY	EASI-TROLL ST
62	3392033	ROD TUBE	ALL MODELS
63	3390101	SOFT GRIP KNOB (2 EA)	ALL MODELS
64	2287002	HDW SPRING, RELEASE PIN	ALL MODELS
65	3393130	NUT 1/4-20, SS, RIE COATED	ALL UNI-TROLL MODELS
66	3394200	ARM, DUAL AXIS ROD HOLDER	ALL UNI-TROLL MODELS
DRIVE COMPOUNDS			
71	3994210	HANDLE ASSEMBLY	ALL MODELS
72	9400040	HDW SPRING, CRANK	ALL MODELS
73	3391737	WASHER, THRUST, 17-7 SS	ALL MODELS
74	9010280	HDW BEARING, THRUST	ALL MODELS
75	9010001	BEARING, NYLINER	ALL MODELS
76	1080001	SHAFT, REEL ET/UT	ALL MODELS
77	3391990	PLATE-CLUTCH/BRAKE REEL	ALL MODELS
78	3391710	PAD-CLUTCH	ALL MODELS
79	3391995	PLATE-RATCHET BRAKE	ALL MODELS
80	1000904	ASY SHAFT RATCHET UT6	ALL MODELS
81	9100160	DOG RATCHET	ALL MODELS
82	9400070	HDW SPRING DOG	ALL MODELS
83	9250003	HDW PIN 3/16" X 7/8" DOWEL	ALL MODELS
MOUNTING BASE			
■	3771930	MOUNTING BASE ASSEMBLY (91,92,93)	ALL MODELS
91	3391955	BASE MOUNT, MAG ST	ALL MODELS
93	3393000	RETAINING RING 1/4" SHAFT	ALL MODELS
94	3991913	SWIVEL BASE ASSEMBLY	UNI-TROLL 10 STX UNI-TROLL 10 STX-TS
A	3396430	TOP, SWIVEL, MOLDED	
B	9010004	HDW BEARING, SWIVEL BASE	
C	3391958	PLATE, SUPPORT TOP	
D	3391923	BASE, SWIVEL MOLDED	
E	3391999	PLATE-INDEX, SWIVEL BASE	
F	3392600	PIN-RELEASE	
G	2287002	HDW SPRING, RELEASE PIN	
H	2277001	HDW, RETAINER RELEASE NUT	
J	2249001	HDW KNB RELEASE PIN	
K	2372100	SCREW-#8-18 X 5/8 THD* SS	
INCLUDED LINE END ACCESSORIES			
101	9100100	CON TERMINATOR	ALL MODELS
102	9100101	CUSHION SLEEVE, TERMINATOR	ALL MODELS
103	9100620	HDW SNAP SWIVEL 4/0-37 MARLIN	ALL MODELS
104	2277002	LINE RELEASE	ALL BLACK MODELS
	2200109	SALTWATER LINE RELEASE	UNI-TROLL 10 STX-TS
MOUNTING HARDWARE			
■	2994894	BAG ASSEMBLY, MOUNTING HARDWARE	ALL MODELS